



# Illustrated Parts List

## Model Series

# 613400

## AIR COOLED

### TYPE NUMBERS

0048, 0076, 0079, 0100, 0111, 0113, 0114, 0117, 0118, 0119,  
0120, 0121, 0122, 0123, 0125, 0126, 0128, 0129, 0130, 0131,  
0132, 0133, 0135, 0136, 0137, 0138, 0140, 0141, 0143, 0145,  
0148, 0149, 0151, 0153, 0155, 0156, 0157.

### TABLE OF CONTENTS

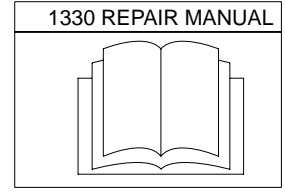
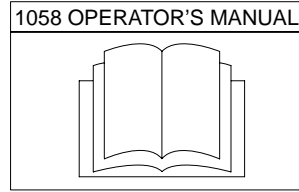
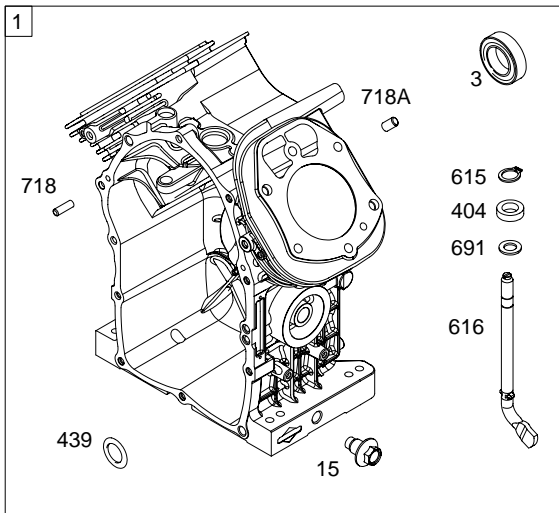
<b>Air Cleaner</b> .....	6
<b>Alternator</b> .....	10
<b>Blower Housing</b> .....	9
<b>Camshaft</b> .....	2
<b>Carburetor</b> .....	5
<b>Carburetor Overhaul Kit</b> .....	5
<b>Controls</b> .....	8
<b>Crankcase Cover/Sump</b> .....	4
<b>Crankshaft</b> .....	2
<b>Cylinder</b> .....	2
<b>Cylinder Head</b> .....	3
<b>Electric Starter</b> .....	10
<b>Engine Gasket Set</b> .....	2
<b>Exhaust</b> .....	7
<b>Flywheel</b> .....	9
<b>Fuel Supply</b> .....	5
<b>Governor Springs</b> .....	8
<b>Intake Manifold</b> .....	4
<b>Pistons/Rings/Connecting Rods</b> .....	2
<b>Valve Gasket Set</b> .....	3
<b>Wiring</b> .....	10

PRINTED IN U.S.A.



COPYRIGHT by BRIGGS & STRATTON CORPORATION  
All rights reserved. No part of this material may be reproduced or transmitted,  
in any form or by any means, electronic or mechanical, including photocopying,  
recording or by any information storage and retrieval system, without permission  
in writing from Briggs & Stratton Corporation.

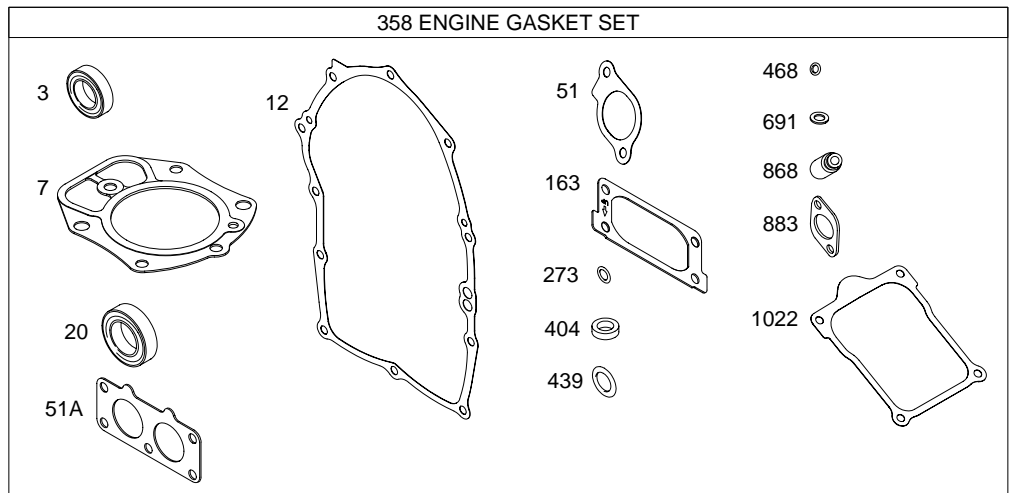
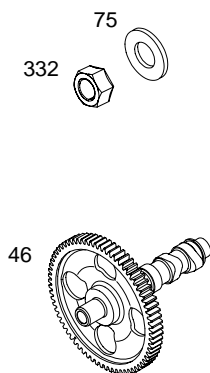
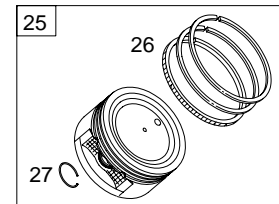
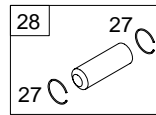
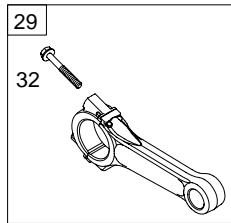
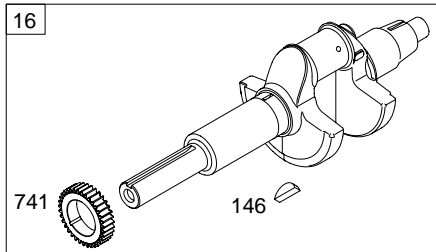
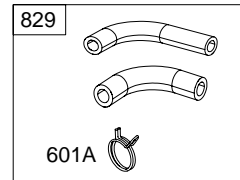
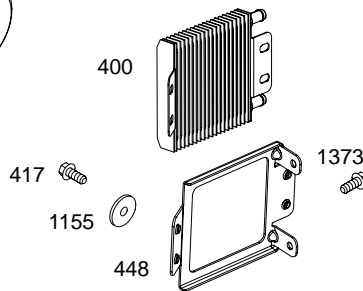
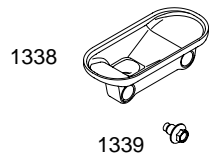
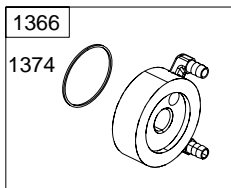
# 613400

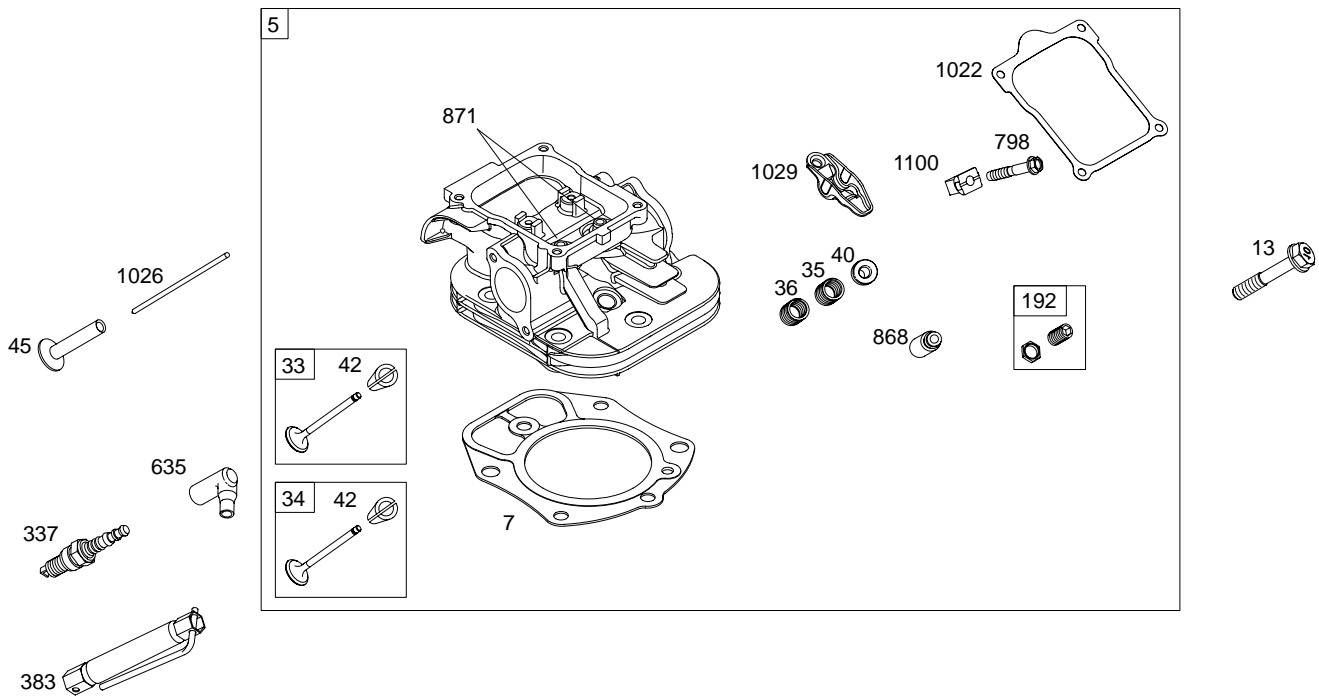
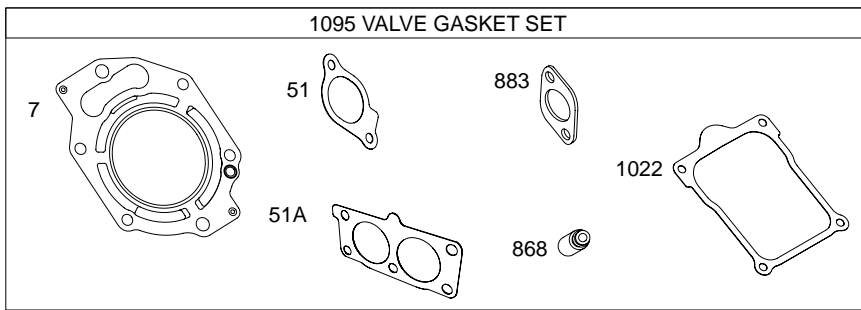
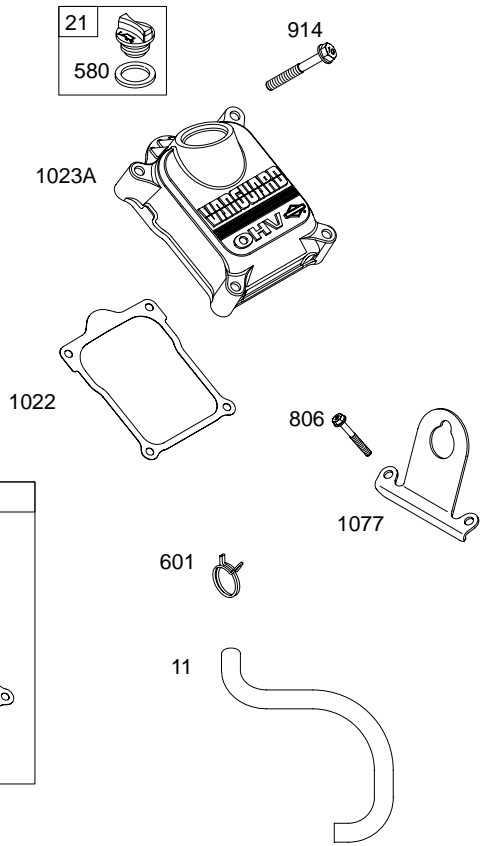
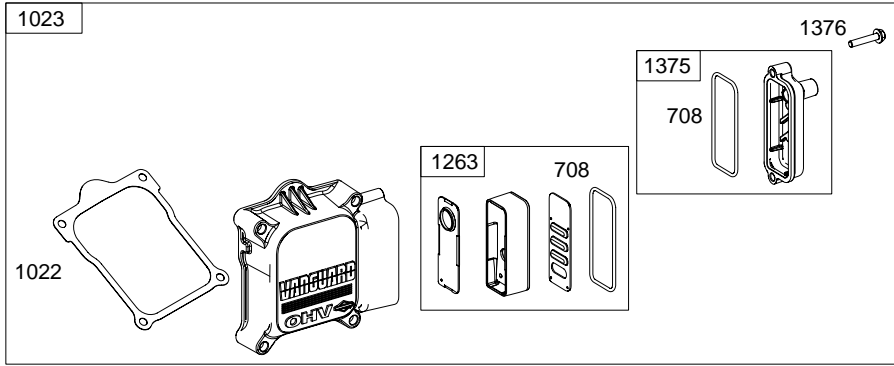


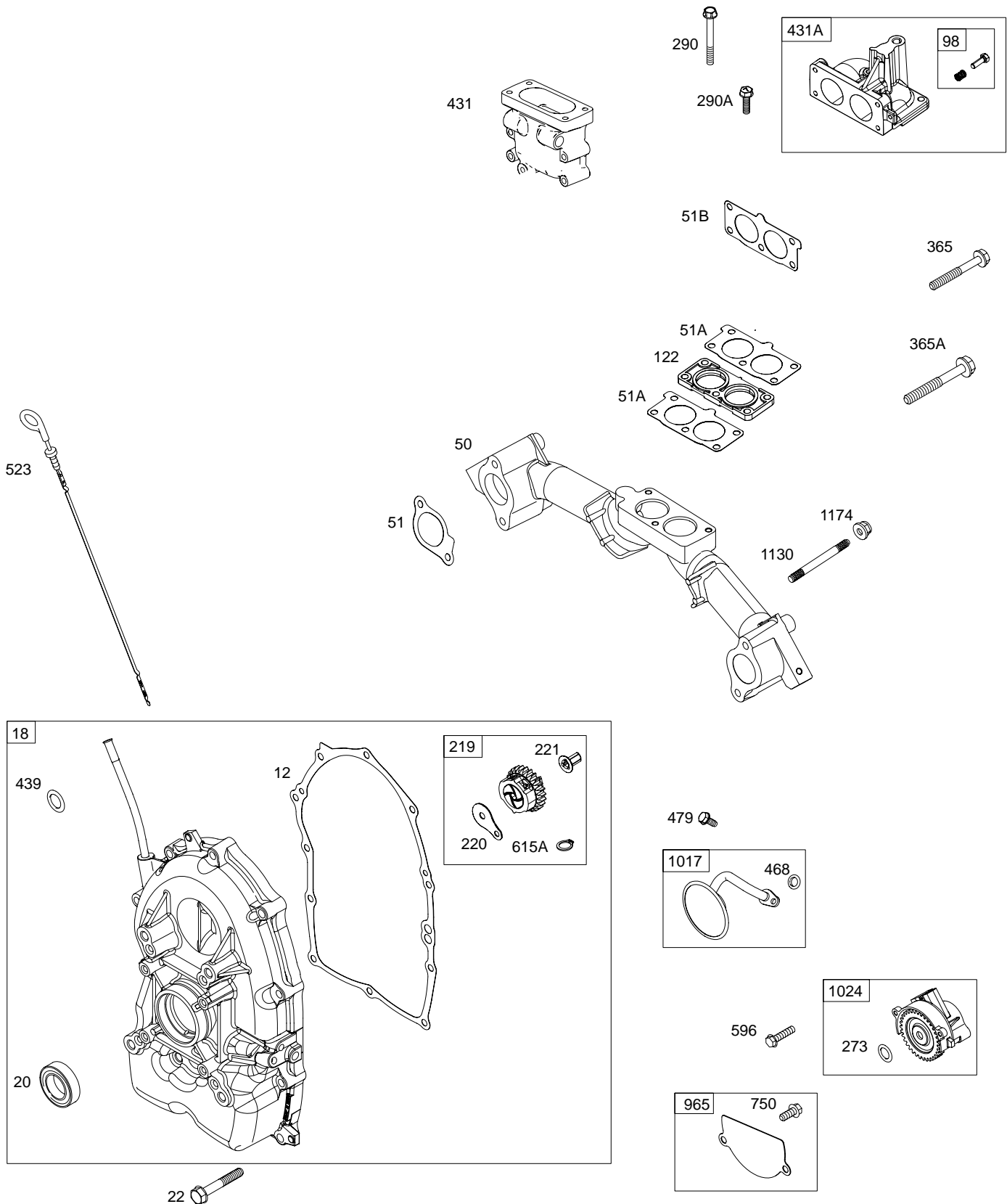
1319 WARNING LABEL

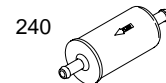
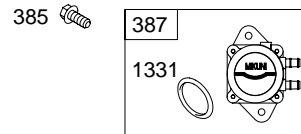
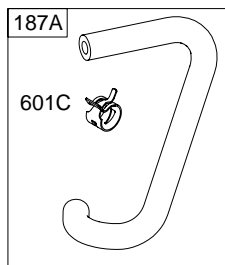
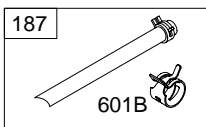
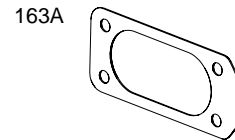
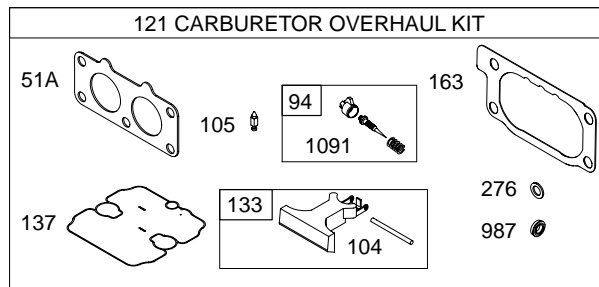
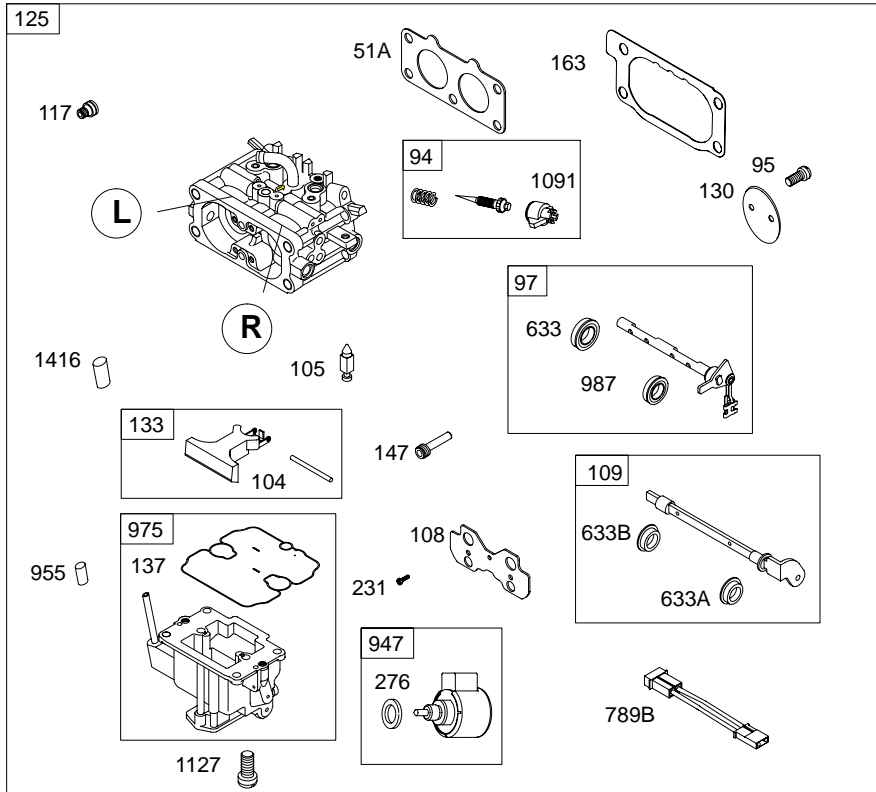
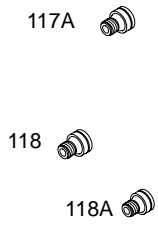
<b>WARNING</b>	
	Read and follow Operating Instructions before running engine.
	Gasoline is flammable. Allow engine to cool at least 2 minutes before refueling.
	Engines emit carbon monoxide, DO NOT run in enclosed area.
	Muffler area temperature may exceed 150°F. Do not touch hot parts.

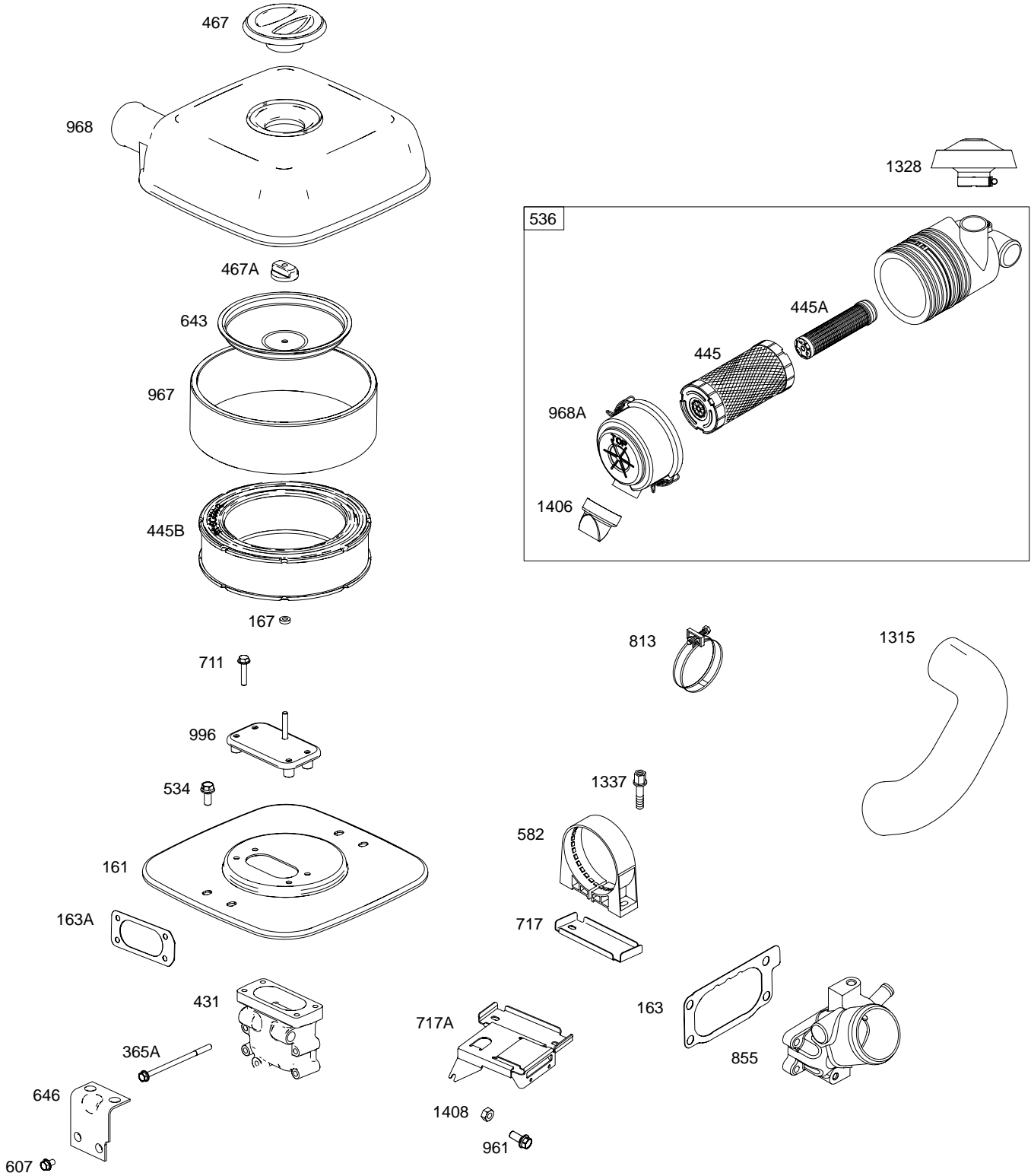
**REQUIRED** when replacing parts with warning labels affixed.

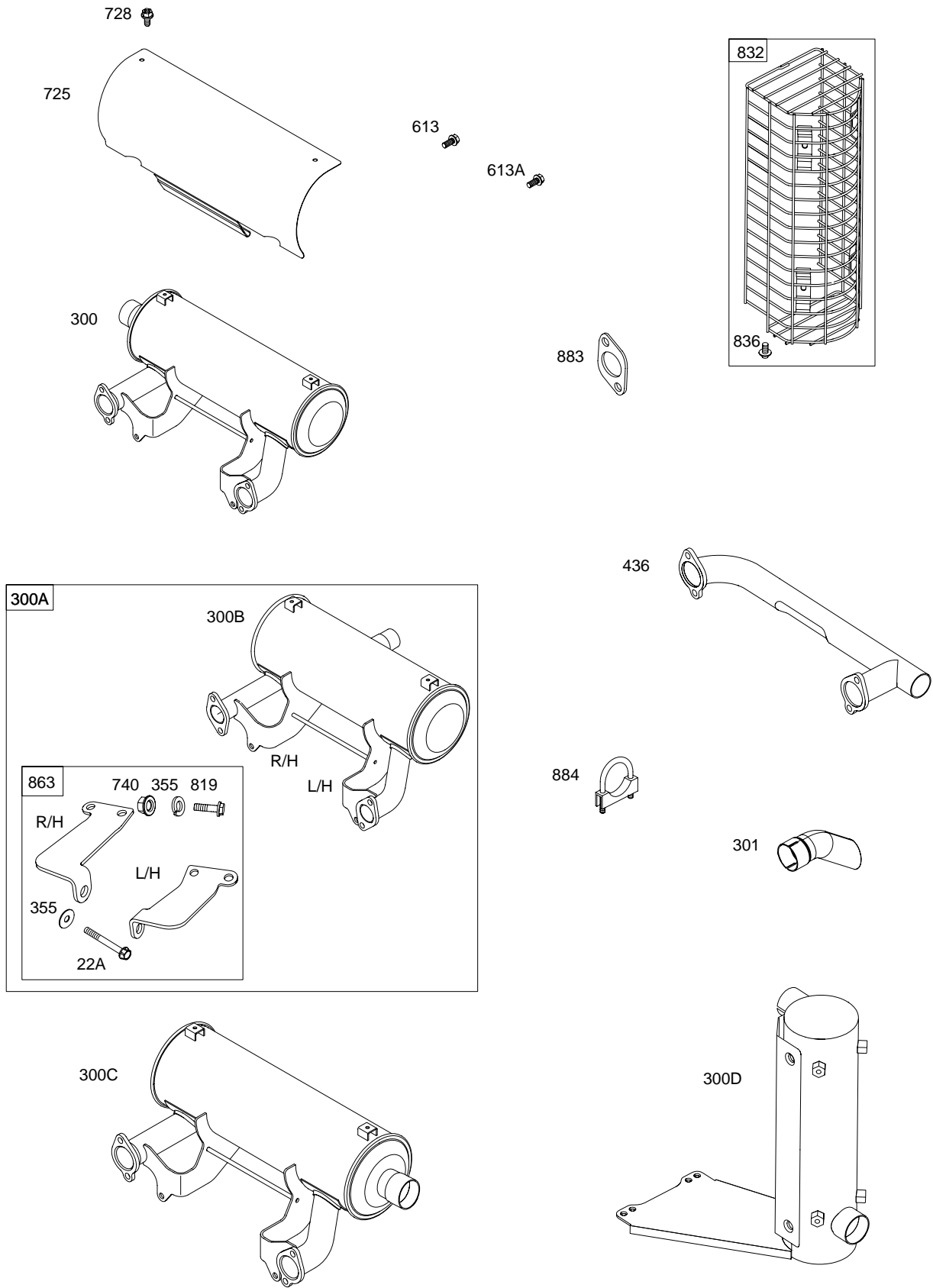


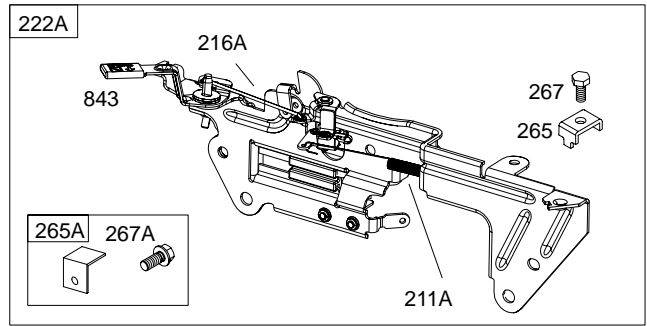
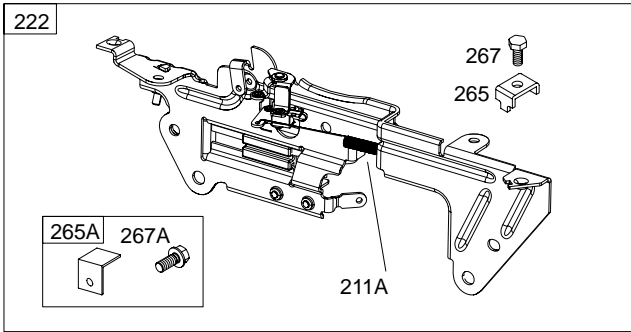




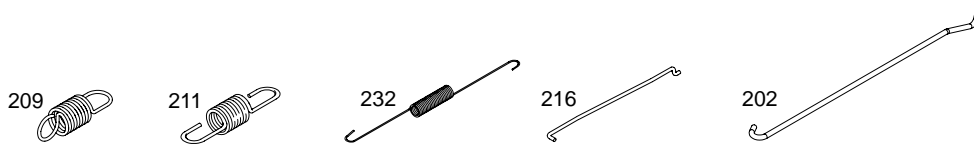
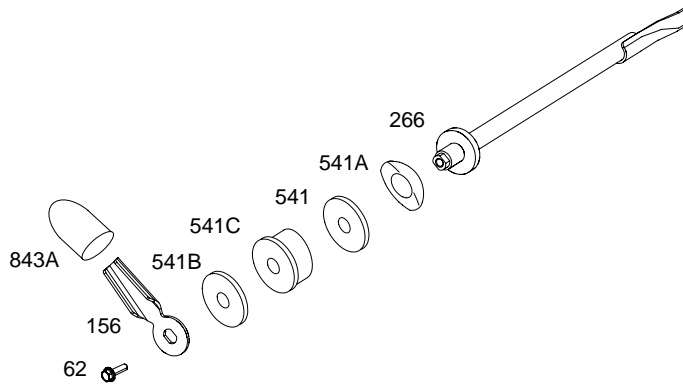
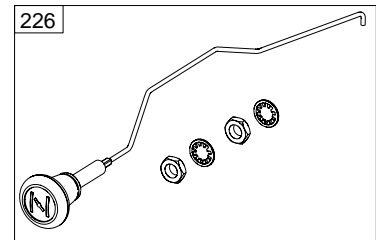
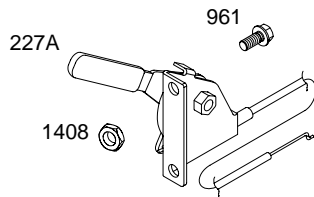
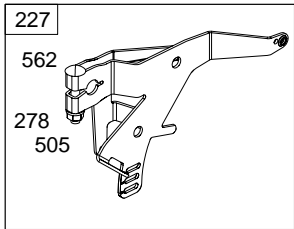
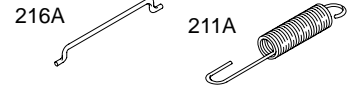
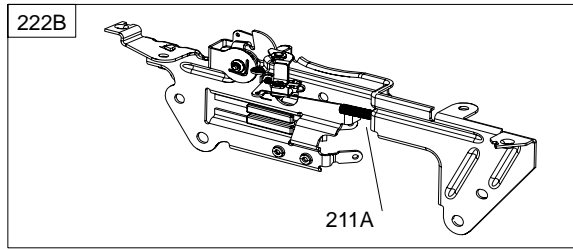




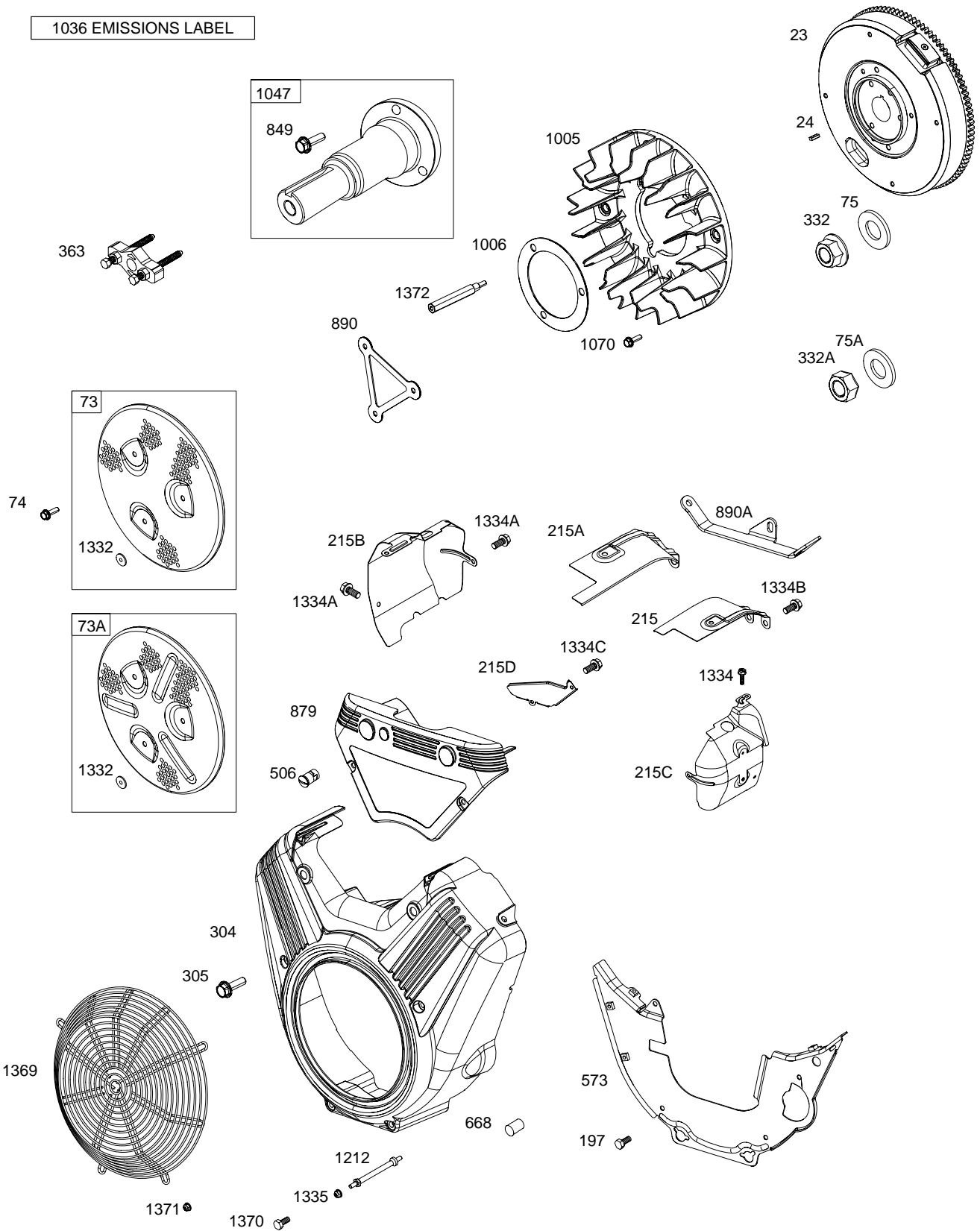




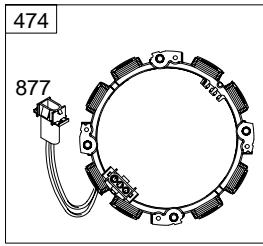
188




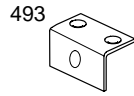
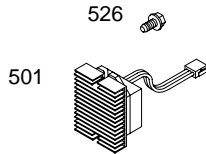
1036 EMISSIONS LABEL



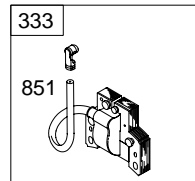
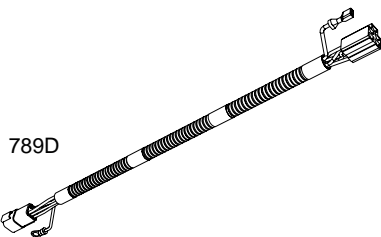
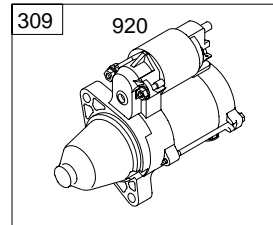
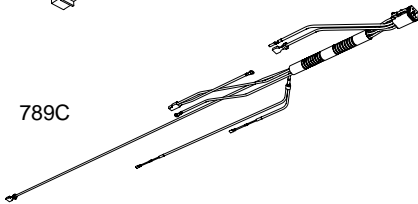
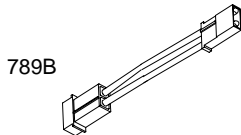
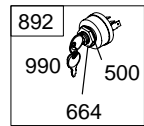
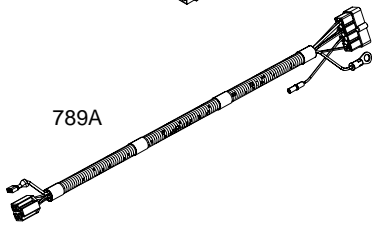
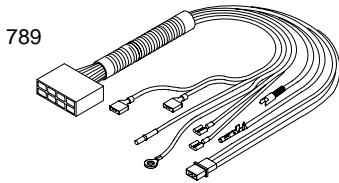
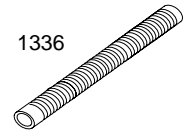
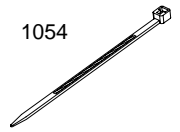
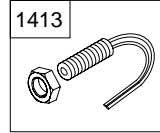
# 613400



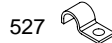
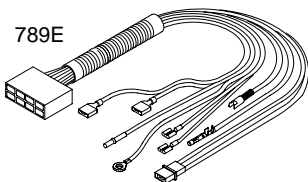
1119 



318 



334 



REF. NO.	PART NO.	DESCRIPTION	REF. NO.	PART NO.	DESCRIPTION	REF. NO.	PART NO.	DESCRIPTION
1	842785	Cylinder Assembly	22A	809529	Screw (Crankcase Cover/Sump)	74	809947	Screw (Rotating Screen)
3	841596	Seal-Oil				75	691056	Washer (Flywheel)
5	842180	Head-Cylinder (Cylinder #1) ----- <b>Note</b> ----- 842181 Head-Cylinder (Cylinder #2)	23	809963	Flywheel (Used After Code Date 06111400). ----- <b>Note</b> ----- 841998 Flywheel (Used Before Code Date 06111500).	75A	842548	Washer (Flywheel) (Used After Code Date 05051000).
7	809730	Gasket-Cylinder Head				94	843295	Kit-Idle Mixture (Used After Code Date 06041900). ----- <b>Note</b> -----
11	809736	Tube-Breather	24	222698S	Key-Flywheel			809648 Kit- Idle Mixture (Used Before Code Date 06042000).
12	809727	Gasket-Crankcase	25	841837	Piston Assembly ----- <b>Note</b> ----- 842939 Piston Assembly (.020" Oversize)	95	690728	Screw (Throttle Valve)
13	809784	Screw (Cylinder Head)	26	809972	Ring Set ----- <b>Note</b> ----- 841932 Piston Assembly (.020" Oversize)	97	841912	Shaft-Throttle
15	807392	Plug-Oil Drain (Cylinder) ----- <b>Note</b> ----- 690283 Plug-Oil Drain (Oil Pressure Switch Hole)	27	807351	Lock-Piston Pin	98	841842	Kit-Idle Speed (Intake Elbow)
16	841839	Crankshaft Used on Type No(s). 0048, 0100, 0111, 0113, 0119, 0120, 0121, 0122, 0123, 0125, 0128, 0131, 0132, 0137, 0138, 0141, 0149, 0151, 0155, 0156, 0157. ----- <b>Note</b> ----- 841844 Crankshaft Used on Type No(s). 0079, 0114, 0117, 0118, 0129, 0130, 0133, 0135, 0136, 0148. 842268 Crankshaft Used on Type No(s). 0076, 0126. 843609 Crankshaft Used on Type No(s). 0140, 0143, 0145, 0153.	28	807361	Pin-Piston	104	690739	Pin-Float Hinge
			29	841838	Rod-Connecting	105	809759	Valve-Float Needle
			32	807363	Screw (Connecting Rod)	108	841915	Valve-Choke
			33	809901	Valve-Exhaust	109	841914	Shaft-Choke
			34	809902	Valve-Intake	117	842094	Jet-Main (Standard) (Left Jet) ----- <b>Note</b> ----- 842093 Jet-Main (Standard) (Right Jet)
			35	809374	Spring-Valve (Intake)			
			36	809374	Spring-Valve (Exhaust)			
			40	807492	Retainer-Valve			
			42	807683	Keeper-Valve			
			45	809785	Tappet-Valve			
			46	809879	Camshaft			
			50	841591	Manifold-Intake			
			51	841592	Gasket-Intake			
18	842458	Cover-Crankcase	51A	809910	Gasket-Intake			
20	841596	Seal-Oil (PTO Side)	51B	841882	Gasket-Intake			
21	809895	Cap-Oil Fill	62	692539	Screw (Speed Adjustor Lever)			
22	807362	Screw (Crankcase Cover/Sump) (M8x50mm Long)	73	841840	Screen-Rotating			
			73A	842248	Screen-Rotating Used on Type No(s). 0126.			

Engine Gasket Set Reference 358  
Carburetor Overhaul Kit Reference 121

Valve Gasket Set Reference 1095

# 613400

REF. NO.	PART NO.	DESCRIPTION	REF. NO.	PART NO.	DESCRIPTION	REF. NO.	PART NO.	DESCRIPTION
117A	842738	Jet–Main (Standard) (Left Jet) Used on Type No(s). 0114, 0121, 0123, 0128, 0136, 0140, 0141, 0143, 0145, 0149, 0155. ----- <b>Note</b> ----- <b>842103</b> Jet–Main (Standard) (Right Jet) Used on Type No(s). 0114, 0121, 0123, 0128, 0136, 0140, 0141, 0143, 0145, 0149, 0155.	125	842097	Carburetor ----- <b>Note</b> ----- <b>842126</b> Carburetor Used on Type No(s). 0114, 0121, 0123, 0128, 0136, 0140, 0141, 0143, 0145, 0149, 0155. <b>843628</b> Carburetor Used on Type No(s). 0156, 0157.	202	841322	Link–Mechanical Governor
			130	841913	Valve–Throttle	209	841684	Spring–Governor (Green) ----- <b>Note</b> ----- <b>841500</b> Spring– Governor (Purple) Used on Type No(s). 0076, 0121, 0122, 0126, 0128, 0130, 0132, 0136, 0140, 0148, 0149, 0157. <b>842049</b> Spring– Governor (Red) Used on Type No(s). 0143, 0145.
118	842095	Jet–Main (High Altitude) (Left Jet) (5000 Feet) ----- <b>Note</b> ----- <b>842096</b> Jet–Main (High Altitude) (Right Jet) (5000 Feet)	133	809637	Float–Carburetor	211	809875	Spring–Governed Idle (White) ----- <b>Note</b> ----- <b>843625</b> Spring– Governed Idle (Light Blue) Used on Type No(s). 0153, 0156, 0157.
			137	809645	Gasket–Float Bowl	211A	690707	Spring–Governed Idle (Control Bracket)
118A	843365	Jet–Main (High Altitude) (Left Jet) (5000 Feet) Used on Type No(s). 0114, 0121, 0123, 0128, 0136, 0140, 0141, 0143, 0145, 0149, 0155. ----- <b>Note</b> ----- <b>842098</b> Jet–Main (High Altitude) (Right Jet) (5000 Feet) Used on Type No(s). 0114, 0121, 0123, 0128, 0136, 0140, 0141, 0143, 0145, 0149, 0155.	146	691639	Key–Timing	215	809728	Guide–Air (Cylinder #1)
			147	842740	Jet–Slow	215A	809737	Guide–Air (Cylinder #2)
			156	841522	Lever–Speed Adjuster	215B	809897	Guide–Air (Cylinder #2)
			161	843118	Base–Air Cleaner (Used After Code Date 06062200). ----- <b>Note</b> ----- <b>841851</b> Base–Air Cleaner (Used Before Code Date 06062300).	215C	809738	Guide–Air (Cylinder #1)
			163	807375	Gasket–Air Cleaner	215D	809739	Guide–Air (Valley)
			163B	843117	Gasket–Air Cleaner (Used After Code Date 06062200). ----- <b>Note</b> ----- <b>841852</b> Gasket–Air Cleaner (Used Before Code Date 06062300).	216	809788	Link–Choke
			167	841855	Seal–Air Cleaner Nut	216A	841671	Link–Choke (Control Bracket)
			187	791745	Line–Fuel (Cut to Required Length)	219	809426	Gear–Governor
			187A	841841	Line–Fuel (Fuel Pump)	220	841608	Washer (Governor Gear)
			188	692062	Screw (Control Bracket)			
			192	690083	Adjuster–Rocker Arm			
			197	692539	Screw (Back Plate)			
121	841139	Kit–Carburetor Overhaul						
122	843268	Spacer–Carburetor (Used After Code Date 06080800). ----- <b>Note</b> ----- <b>809880</b> Spacer– Carburetor (Used Before Code Date 06080900).						

Engine Gasket Set Reference 358  
Carburetor Overhaul Kit Reference 121

Valve Gasket Set Reference 1095

REF. NO.	PART NO.	DESCRIPTION	REF. NO.	PART NO.	DESCRIPTION	REF. NO.	PART NO.	DESCRIPTION
221	841026	Cup-Governor	273	690681	Seal-O Ring (Oil Pump)	333	843327	Armature-Magneto (Used After Code Date 06111400).
222	841528	Bracket-Control Used on Type No(s). 0118, 0120, 0121, 0122, 0123, 0128, 0129, 0130, 0135, 0140, 0143, 0145, 0148, 0149, 0153, 0156, 0157.	276	806476	Washer-Sealing (Fuel Solenoid)			----- <b>Note</b> -----
222A	841492	Bracket-Control Used on Type No(s). 0076, 0100, 0111, 0119, 0125, 0126, 0131, 0132, 0133, 0138, 0151.	278	842122	Washer (Governor Control Lever)			<b>841279</b> Armature- Magneto (Used Before Code Date 06111500).
222B	841527	Bracket-Control Used on Type No(s). 0048, 0079, 0113, 0114, 0117, 0136, 0137, 0141, 0155.	290	809911	Screw (Intake Elbow) (M6x55mm Long)	334	692066	Screw (Magneto Armature)
226	841613	Rod-Choke	290A	807421	Screw (Intake Elbow) (M6x25mm Long)	337	491055S	Plug-Spark ----- <b>Note</b> -----
227	809984	Lever-Governor Control	300	809983	Muffler Used on Type No(s). 0113, 0126, 0137.			<b>792015</b> Plug-Spark Used on Type No(s). 0130, 0133, 0137, 0138, 0140, 0143, 0145, 0148.
227A	692541	Lever-Governor Control Used on Type No(s). 0118, 0129, 0130, 0135, 0148, 0153.	300A	841530	Muffler Used on Type No(s). 0121, 0128, 0157.	344	692539	Screw (Cable Clamp)
231	690728	Screw (Choke Valve)	300B	843633	Muffler Used on Type No(s). 0122, 0138.	355	691261	Washer (Muffler Bracket) (Flat Washer) Used on Type No(s). 0121, 0128, 0157.
232	690545	Spring-Governor Link	300C	841836	Muffler Used on Type No(s). 0119, 0125, 0130, 0145, 0148, 0149.			----- <b>Note</b> -----
235	843119	Shield-Fuel Spray (Used After Code Date 06062200). ----- <b>Note</b> -----	300D	842262	Muffler Used on Type No(s). 0131.			<b>691075</b> Washer (Muffler Bracket) (Lockwasher) Used on Type No(s). 0121, 0128, 0157.
		<b>841848</b> Shield-Fuel Spray (Used Before Code Date 06062300).	301	841518	Pipe-Exhaust Used on Type No(s). 0151.	358	841122	Gasket Set-Engine
239	841281	Switch-Oil Pressure ----- <b>Note</b> ----- <b>697049</b> Switch-Oil Pressure Used on Type No(s). 0126.	304	841542	Housing-Blower	363	19203	Puller-Flywheel
240	695666	Filter-Fuel	305	807435	Screw (Blower Housing)	365	807437	Screw (Carburetor) (M6x85mm Long)
265	691024	Clamp-Casing (Control Bracket)	309	807383	Motor-Starter	365B	841853	Screw (Carburetor) (M6x103mm Long)
265A	841673	Clamp-Casing (Control Bracket)	318	692539	Screw (Mounting Bracket) (Speed Sensor)	383	19374S	Wrench-Spark Plug
266	841521	Control-Throttle	332	807356	Nut (Flywheel) (Used Before Code Date 05051100).	385	809876	Screw (Fuel Pump)
267	841552	Screw (Casing Clamp) (M5x20mm Long)	332A	842222	Nut (Flywheel) (Used After Code Date 05051000).	387	842920	Pump-Fuel
267A	841672	Screw (Casing Clamp) (M5x8mm Long)				400	841501	Cooler-Oil
						404	809436	Washer (Governor Crank)
						415	690283	Plug (Oil Pressure Switch Hole)
						417	810074	Screw (Oil Cooler)

Engine Gasket Set Reference 358  
Carburetor Overhaul Kit Reference 121

Valve Gasket Set Reference 1095

# 613400

REF. NO.	PART NO.	DESCRIPTION	REF. NO.	PART NO.	DESCRIPTION	REF. NO.	PART NO.	DESCRIPTION
431	841539	Elbow-Intake	562	843344	Bolt	635	692076	Boot-Spark Plug
431A	843116	Elbow-Intake (Used After Code Date 06062200).			(Governor Control Lever)	643	841850	Retainer-Air Filter
		----- <b>Note</b> -----	573	809956	Plate-Back	646	841849	Brace-Air Cleaner
		<b>841854</b> Elbow-Intake (Used Before Code Date 06062300).			----- <b>Note</b> -----	664	691087	Nut (Key Switch)
436	842263	Manifold-Exhaust			<b>842712</b> Plate-Back Used on Type No(s). 0118, 0129, 0130, 0135, 0136, 0148, 0153.	668	841974	Spacer (Blower Housing)
439	692154	Seal-O Ring (Crankcase Cover/Sump)	580	809894	Seal-O Ring (Oil Fill Cap)	691	809287	Seal-Governor Shaft
445	841497	Filter-Air Cleaner Cartridge	582	809878	Clamp-Air Cleaner	703	807116	Clip (Carburetor Fuel Inlet)
445A	821136	Filter-Air Cleaner Cartridge	587	807386	Clamp-Cable	708	841301	Seal-O Ring (Breather Reed)
445B	692519	Filter-Air Cleaner Cartridge	596	691492	Screw (Oil Pump)	711	807385	Screw (Carburetor Shield) (M6x35mm Long)
448	841504	Bracket-Oil Cooler	601	841499	Clamp-Hose (Breather Tube)	717	841886	Bracket-Air Cleaner
467	841846	Knob-Air Cleaner	601A	841597	Clamp-Hose (Oil Cooler)	717A	842730	Bracket-Air Cleaner
467A	691985	Knob-Air Cleaner	601C	691038	Clamp-Hose	718	690959	Pin-Locating (Cylinder)
468	690690	Seal-O Ring (Oil Pump Screen)	607	692539	Screw (Air Cleaner Brace) (M6x10mm Long)	718A	809508	Pin-Locating (Cylinder Head)
474	696579	Alternator (20 Amp)				725	841132	Shield-Heat
479	807084	Screw (Oil Pump Screen)				728	692067	Screw (Heat Shield)
493	842713	Bracket-Mounting (Speed Sensor)	613	692062	Screw (Muffler) (M8x18mm Long)	740	690941	Nut (Muffler Bracket) Used on Type No(s). 0121, 0128, 0157.
500	691086	Washer (Key Switch)	613A	809743	Screw (Muffler) (M8x25mm Long)	741	809432	Gear-Timing
501	691573	Regulator (20 Amp)				750	692539	Screw (Oil Pump Cover)
505	690238	Nut (Governor Control Lever)	615	809533	Retainer-Governor Shaft	789	809906	Harness-Wiring
506	809957	Screw (Carburetor Cover)	615A	698290	Retainer-Governor Shaft (Crankcase Cover/Sump)	789A	809967	Harness-Wiring
523	841007	Dipstick				789B	843364	Harness-Wiring (Fuel Solenoid)
526	691547	Screw (Regulator)	616	842665	Crank-Governor (Used After Code Date 05070700).	789C	843612	Harness-Wiring Used on Type No(s). 0148.
527	690423	Clamp-Tube			----- <b>Note</b> -----	789D	843613	Harness-Wiring Used on Type No(s). 0148, 0157.
534	692062	Screw (Air Cleaner)			<b>809433</b> Crank-Governor (Used Before Code Date 04070800).	789E	843353	Harness-Wiring
536	809670	Cleaner-Air				798	691492	Screw (Rocker Arm)
541	841525	Washer (Speed Adjuster Lever) (Flat Washer)	633	809641	Seal- Choke/Throttle Shaft (Throttle Shaft)	806	807357	Screw (Lifting Bracket)
541A	841526	Washer (Speed Adjuster Lever) (Wave Washer)	633A	809638	Seal- Choke/Throttle Shaft (Choke Shaft)	813	807376	Clamp
541B	842855	Washer (Speed Adjuster Lever)	633B	809644	Seal- Choke/Throttle Shaft (Choke Shaft)	819	692062	Screw (Muffler Bracket) (M8x18mm Long) Used on Type No(s). 0121, 0128, 0157.
541C	842856	Washer (Speed Adjuster Lever) (Flange Washer)						

Engine Gasket Set Reference 358  
Carburetor Overhaul Kit Reference 121

Valve Gasket Set Reference 1095

6154-14

Assemblies include all parts shown in frames.

06/04/2007

REF. NO.	PART NO.	DESCRIPTION	REF. NO.	PART NO.	DESCRIPTION	REF. NO.	PART NO.	DESCRIPTION
829	841503	Hose–Oil (Oil Cooler)	1013	841602	Nipple–Oil Filter	1328	809907	Cap–A/C Rain
832	841682	Guard–Muffler Used on Type No(s). 0131.	1017	809421	Screen–Oil Pump	1330	272144	Repair Manual
836	692539	Screw (Muffler Guard) Used on Type No(s). 0131.	1022	809732	Gasket–Rocker Cover	1331	809894	Seal–O Ring (Fuel Pump)
843	809672	Sleeve–Lever (Control Bracket)	1023	809789	Cover–Rocker (Rocker Cover #2)	1332	809948	Washer (Rotating Screen)
843A	842745	Sleeve–Lever (Speed Adjuster Lever)	1023A	809731	Cover–Rocker (Rocker Cover #1)	1334	807435	Screw (Air Guide) (M6x20mm Long)
849	691110	Screw (Stub Shaft)	1024	841291	Pump–Oil	1334A	841233	Screw (Air Guide) (M6x10mm Long)
851	493880S	Terminal–Spark Plug	1026	809783	Rod–Push	1334B	692062	Screw (Air Guide) (M6x14mm Long)
855	809896	Adapter–Air Cleaner	1027	842921	Filter–Oil	1334C	690677	Screw (Air Guide) (M4x12mm Long)
863	843487	Bracket–Muffler Used on Type No(s). 0121, 0128, 0157.	1029	807323	Arm–Rocker Label–Emissions (Available from a Briggs & Stratton Authorized Dealer)	1335	690939	Nut (Blower Housing)
868	691963	Seal–Valve	1036			1336	841015	Shield–Wire Protective
871	692057	Bushing–Valve Guide	1047	841304	Shaft–Stub Used on Type No(s). 0126.	1337	807382	Screw (Air Cleaner Bracket)
877	698092	Wire/Connector– Alternator	1054	807340	Tie–Cable	1338	809334	Tray–Oil Drip Used on Type No(s). 0117.
879	809955	Cover–Carburetor	1054A	280275	Tie–Cable (Wire Harness)	1339	807435	Screw (Oil Drip Tray) Used on Type No(s). 0117.
883	809872	Gasket–Exhaust	1058	277112	Operator's Manual ----- <b>Note</b> ----- <b>MS3854</b> Operator's Manual	1366	841510	Diverter–Oil Cooler
884	841968	Clamp–Muffler Used on Type No(s). 0131.				1369	842858	Guard–Flywheel Fan
890	809987	Bracket–Support (Rotating Screen)				1370	692539	Screw (Flywheel Fan Guard)
890A	841614	Bracket–Support	1070	807435	Screw (Flywheel Fan)	1371	841537	Nut (Flywheel Fan Guard)
892	692318	Switch–Key	1077	809729	Bracket–Lifting	1372	809946	Stud (Rotating Screen)
914	807357	Screw (Rocker Cover)	1091	691515	Cap–Limiter	1373	692539	Screw (Oil Cooler Bracket)
920	825418	Solenoid–Starter	1095	841123	Gasket Set–Valve	1374	841506	Seal–O Ring (Oil Cooler Diverter)
947	842109	Solenoid–Fuel	1100	791959	Pivot–Rocker Arm	1375	841550	Cover–Breather Reed
955	691511	Plug–Carburetor Used on Type No(s). 0156, 0157.	1119	691552	Screw (Alternator)	1376	806421	Screw (Breather/Reed Cover)
961	841552	Screw (Air Cleaner Bracket)	1127	809715	Screw (Float Bowl)	1406	842623	Valve–Debris
965	809422	Cover–Oil Pump	1130	841590	Stud (Intake Manifold)	1408	806447	Nut (Air Cleaner Bracket)
967	692520	Filter–Pre Cleaner	1155	806647	Washer (Oil Cooler)	1413	842711	Sensor–Speed Used on Type No(s). 0129, 0130, 0136, 0148.
968	841847	Cover–Air Cleaner	1174	842067	Nut (Intake Manifold)	1416	809640	Cap–Carburetor
968A	842621	Cover–Air Cleaner						
975	842106	Bowl–Float	1212	809958	Stud (Blower Housing)			
987	809639	Seal–Throttle Shaft	1263	841324	Reed–Breather			
990	691959	Key Set	1315	809905	Hose–Air Cleaner			
1005	809950	Fan–Flywheel	1319	794467	Label–Warning			
1006	809999	Retainer–Fan						
1009	690711	Screw (Starter Motor)						

Engine Gasket Set Reference 358  
Carburetor Overhaul Kit Reference 121

Valve Gasket Set Reference 1095