



# Illustrated Parts List

## Model Series

# 543400

## AIR COOLED

### TYPE NUMBERS

0048, 0065, 0076, 0078, 0079, 0100, 0110, 0111, 0112, 0113, 0114,  
0115, 0116, 0118, 0119, 0120, 0121, 0122, 0124, 0126, 0127, 0128,  
0129, 0130, 0131, 0132, 0137, 0138, 0139, 0140, 0141, 0142, 0144,  
0145, 0146, 0147, 0148, 0150, 0151, 0152, 0153, 0154, 0157, 0158.

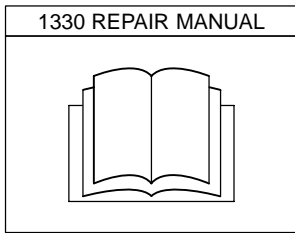
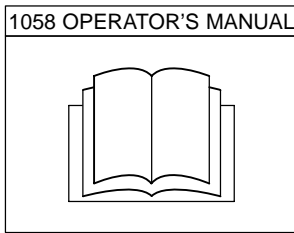
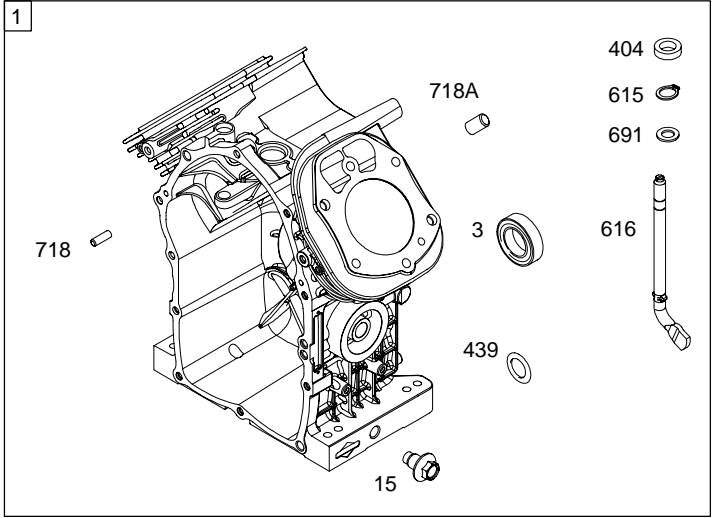
### TABLE OF CONTENTS

<b>Air Cleaner</b> .....	6
<b>Alternator</b> .....	10
<b>Blower Housing</b> .....	9
<b>Camshaft</b> .....	2
<b>Carburetor</b> .....	5
<b>Carburetor Overhaul Kit</b> .....	5
<b>Controls</b> .....	8
<b>Crankcase Cover/Sump</b> .....	4
<b>Crankshaft</b> .....	2
<b>Cylinder</b> .....	2
<b>Cylinder Head/Valves</b> .....	3
<b>Electric Starter</b> .....	10
<b>Engine/Valve Gasket Sets</b> .....	2/3
<b>Exhaust System</b> .....	7
<b>Flywheel</b> .....	9
<b>Fuel Supply</b> .....	5
<b>Governor Springs</b> .....	8
<b>Ignition</b> .....	10
<b>Intake Manifold</b> .....	4
<b>Pistons/Rings/Connecting Rods</b> .....	2

PRINTED IN U.S.A.



COPYRIGHT by BRIGGS & STRATTON CORPORATION  
All rights reserved. No part of this material may be reproduced or transmitted,  
in any form or by any means, electronic or mechanical, including photocopying,  
recording or by any information storage and retrieval system, without permission  
in writing from Briggs & Stratton Corporation.

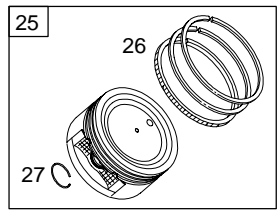
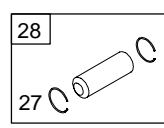
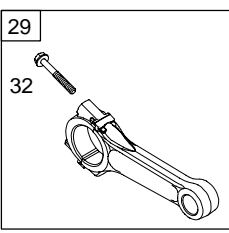
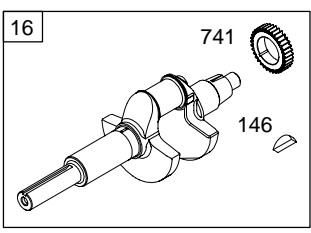
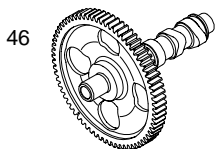
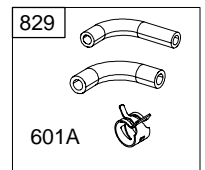
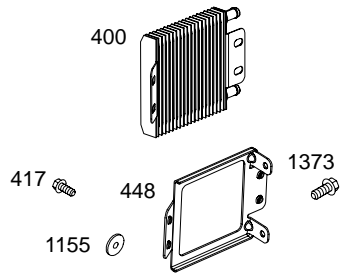
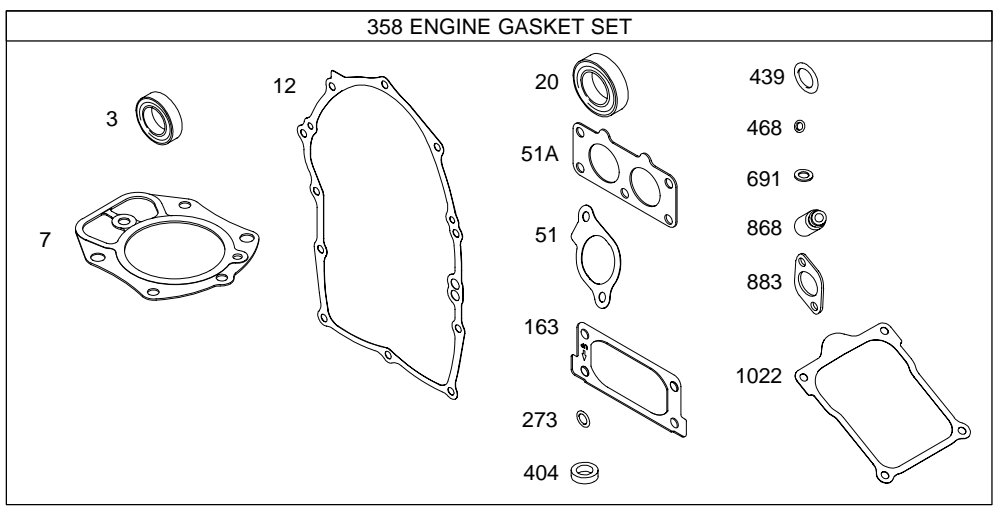
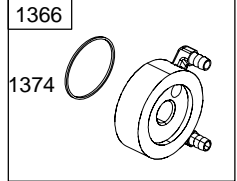
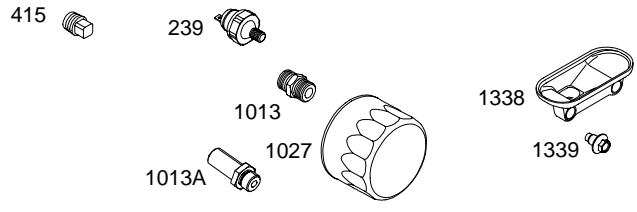


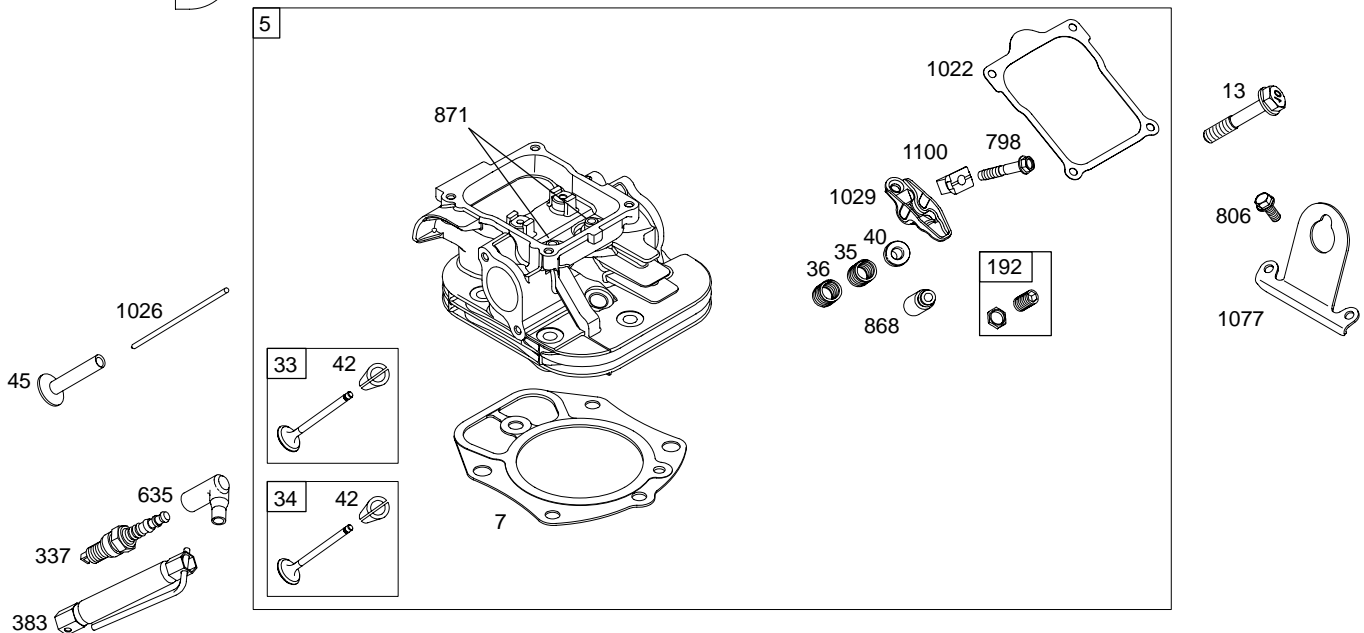
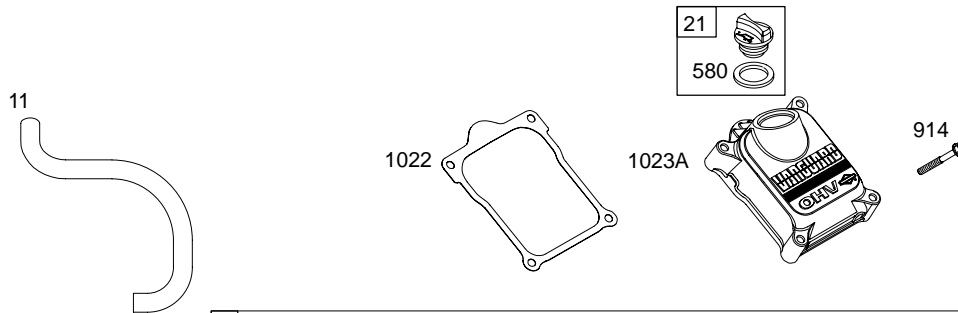
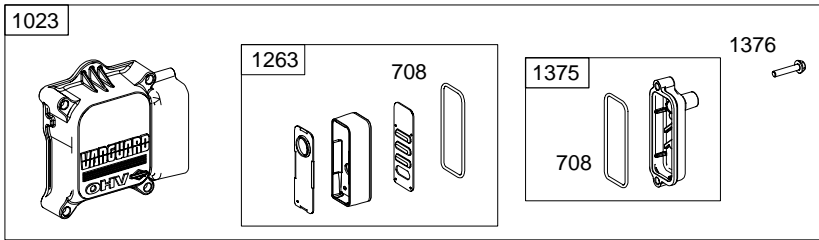
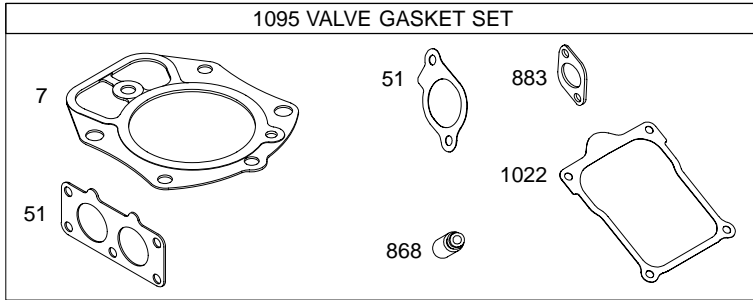
1319 WARNING LABEL

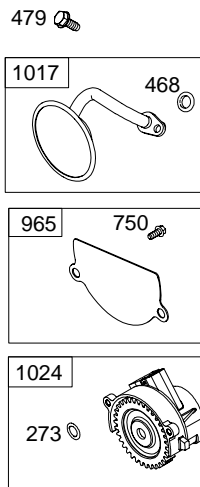
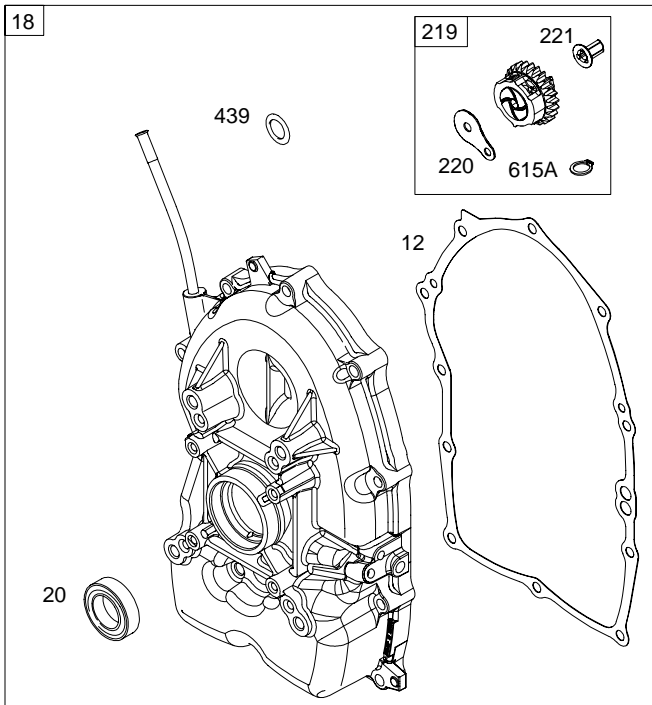
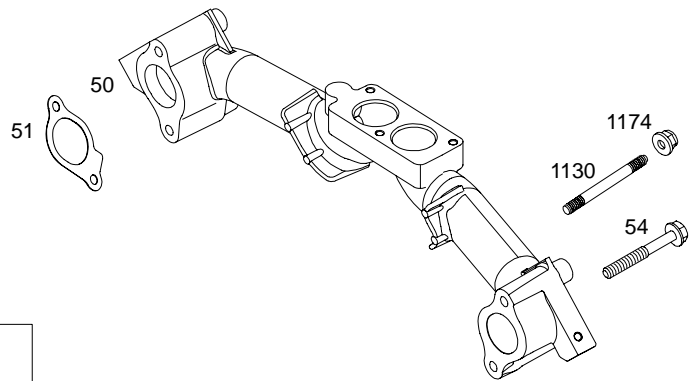
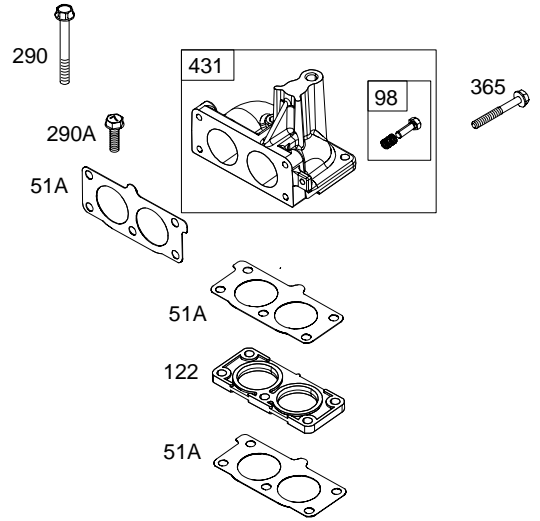
**WARNING**

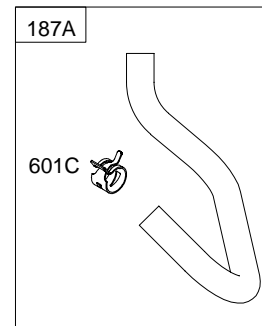
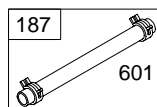
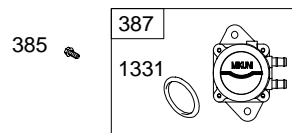
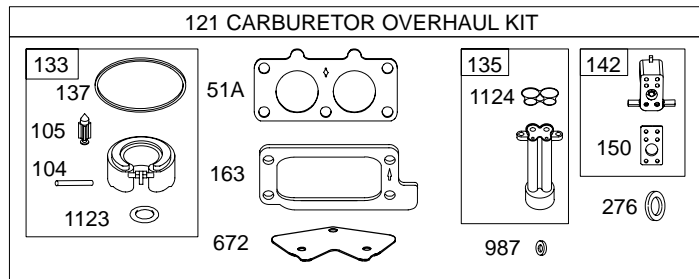
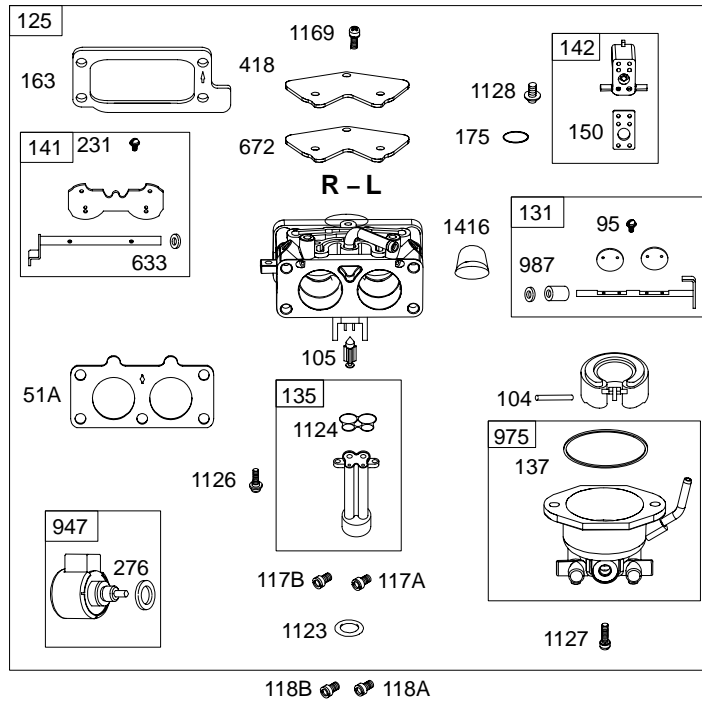
- Read and follow Operating Instructions before running engine.
- Gasoline is flammable. Allow engine to cool at least 2 minutes before refueling.
- Engines emit carbon monoxide, **DO NOT** run in enclosed area.
- Muffler area temperature may exceed 150°F. Do not touch hot parts.

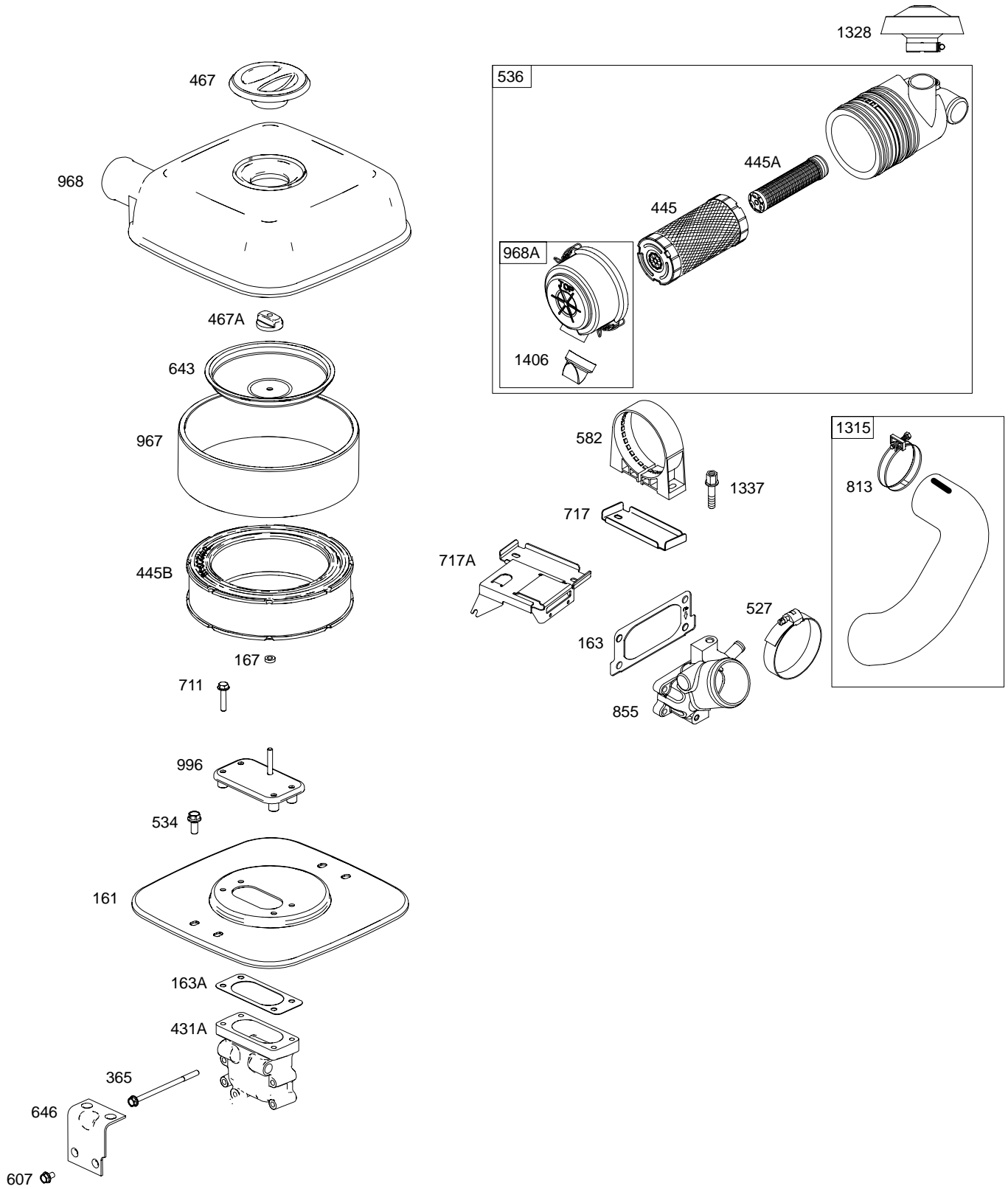
**REQUIRED** when replacing parts with warning labels affixed.

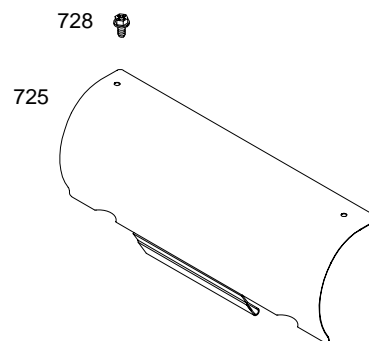
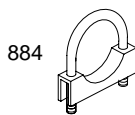
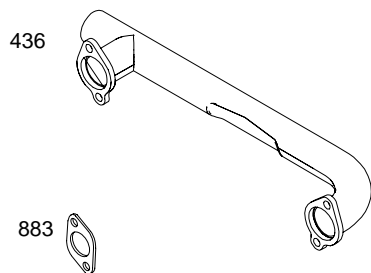
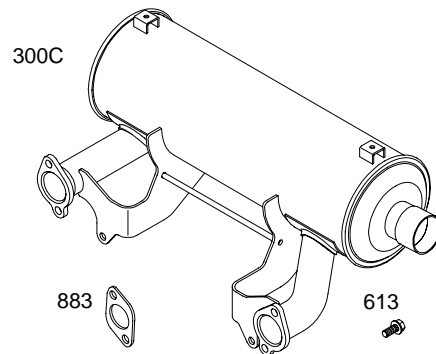
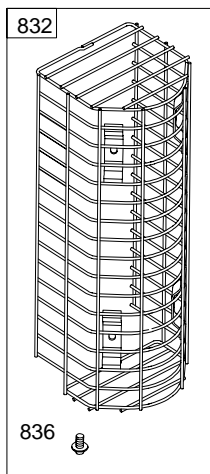
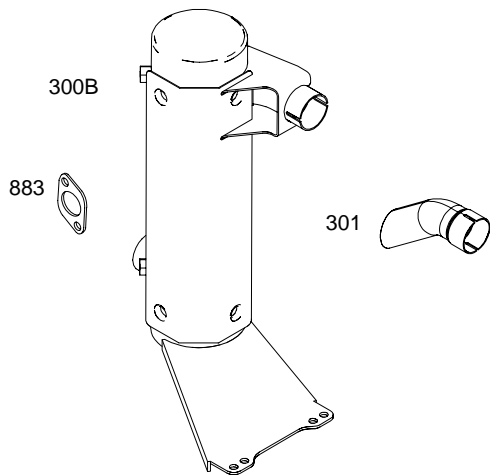
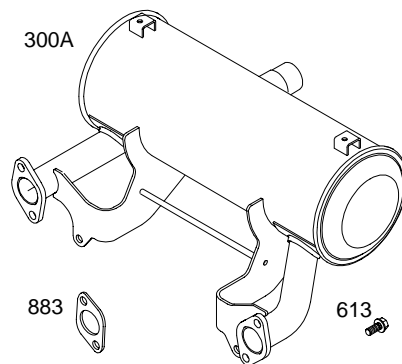
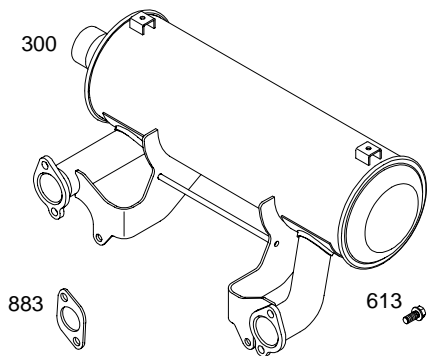




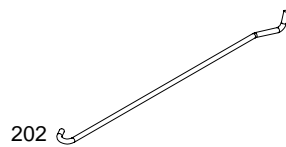
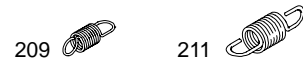
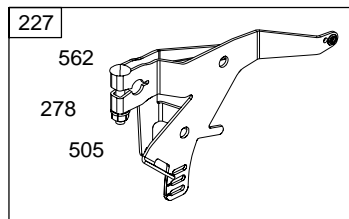
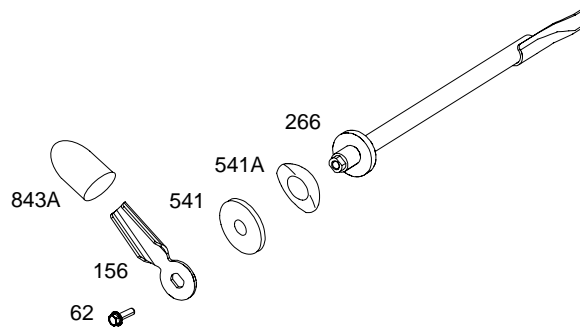
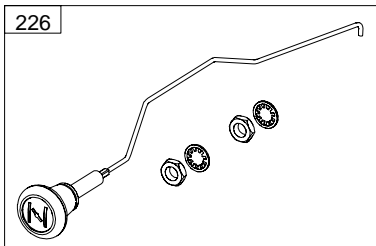
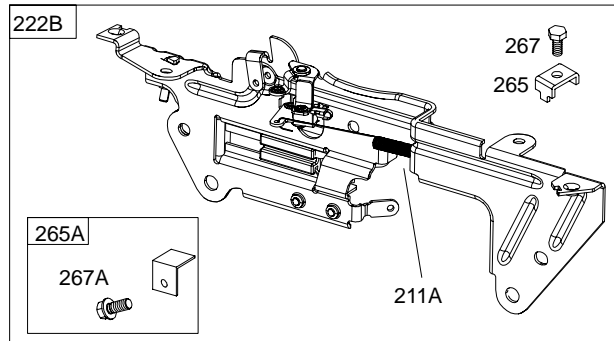
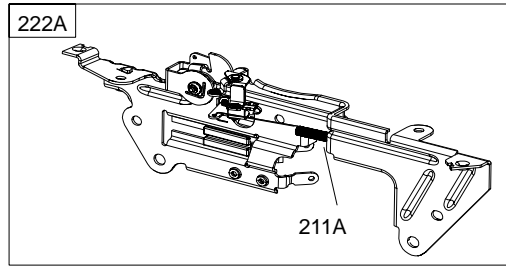
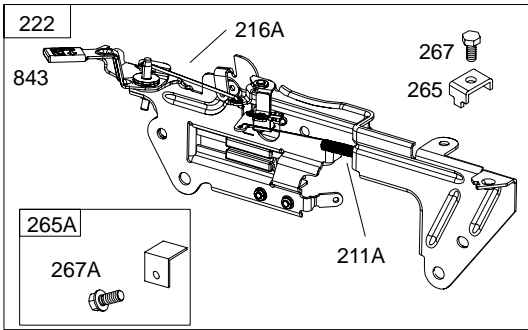


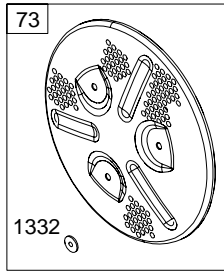
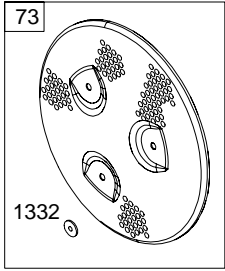






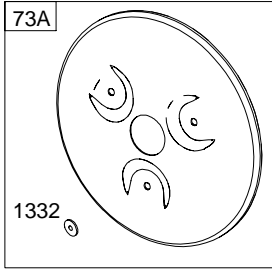
# 543400



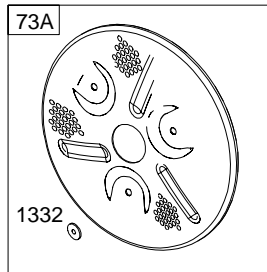


BEFORE DATE CODE: 05011000

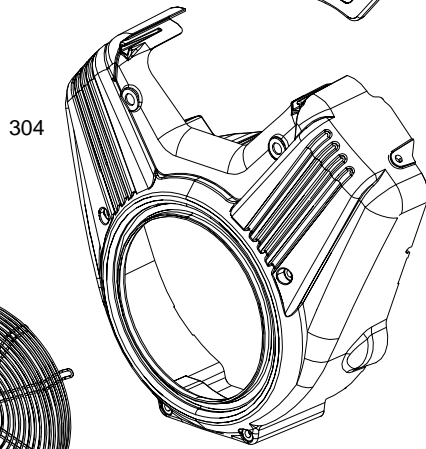
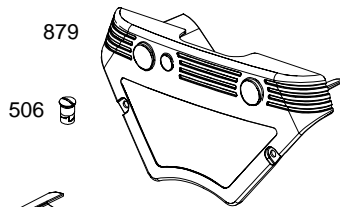
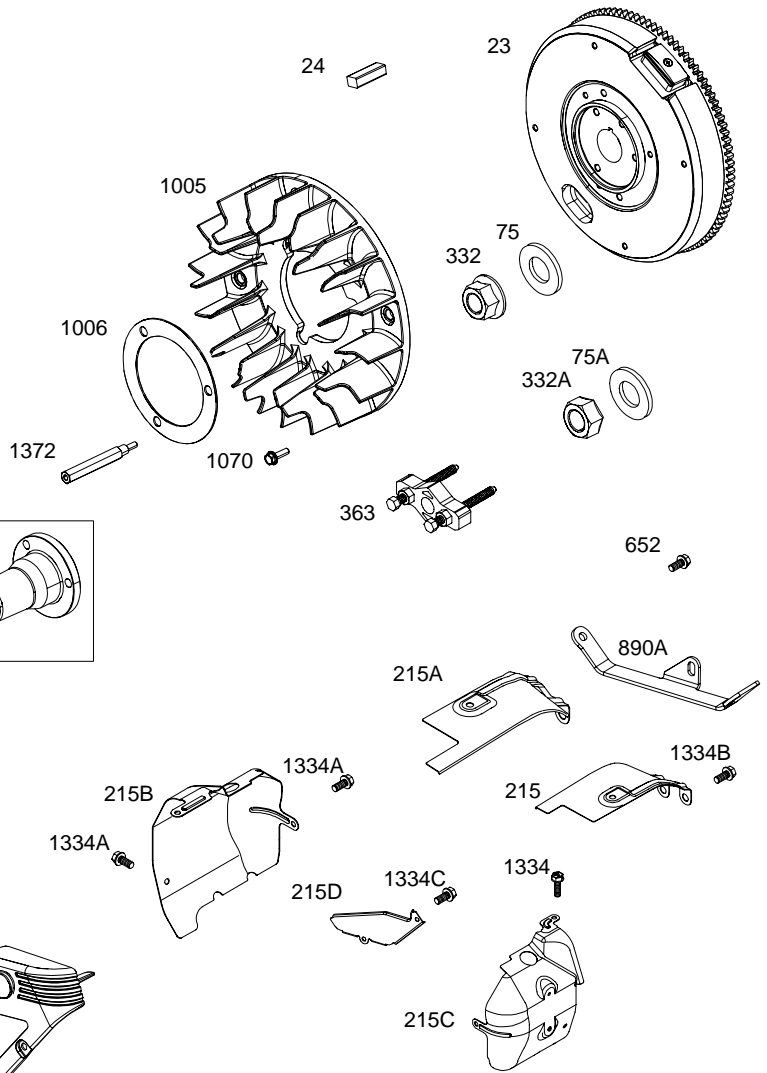
AFTER DATE CODE: 05010900



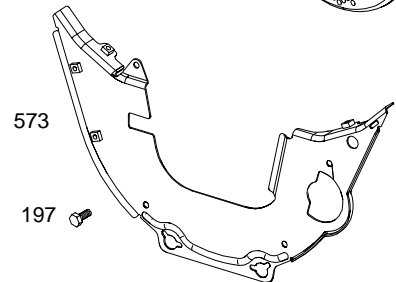
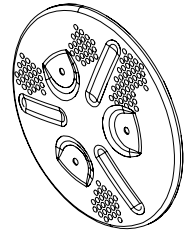
AFTER DATE CODE: 05010900



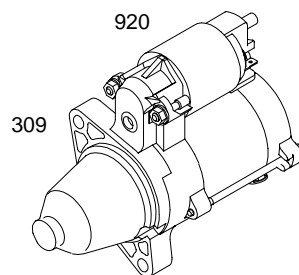
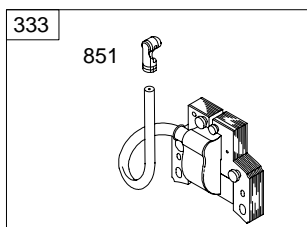
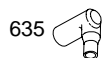
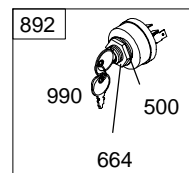
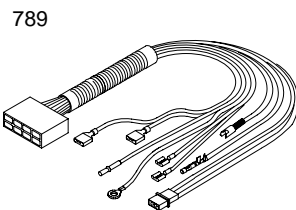
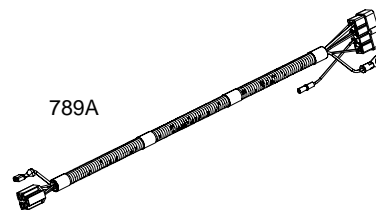
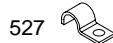
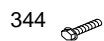
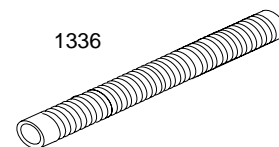
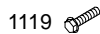
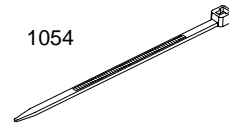
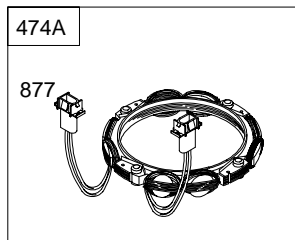
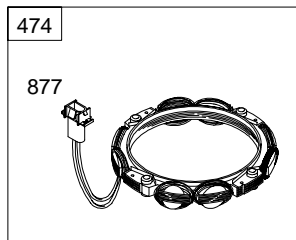
BEFORE DATE CODE: 05011000



1036 EMISSIONS LABEL



# 543400



REF. NO.	PART NO.	DESCRIPTION	REF. NO.	PART NO.	DESCRIPTION	REF. NO.	PART NO.	DESCRIPTION	
1	843286	Cylinder Assembly (Used After Code Date 06083100). ----- <b>Note</b> ----- 809971 Cylinder Assembly (Used Before Code Date 06090100). 843289 Cylinder Assembly Used on Type No(s). 0144, 0145.		843291	Crankshaft (Used After Code Date 06083100). Used on Type No(s). 0079, 0116, 0118, 0124, 0129, 0151, 0158. 841529 Crankshaft (Used Before Code Date 06090100). Used on Type No(s). 0079, 0116, 0118, 0124, 0129, 0151. 843288 Crankshaft (Used After Code Date 06083100). Used on Type No(s). 0078, 0126, 0127, 0137, 0138, 0139, 0140, 0142, 0147, 0150, 0153. 841683 Crankshaft (Used Before Code Date 06090100). Used on Type No(s). 0078, 0126, 0127, 0137, 0138, 0139, 0140, 0142, 0147, 0150, 0153.		843328	Flywheel (Used After Code Date 06111400). Used on Type No(s). 0144, 0145. 842707 Flywheel (Used Before Code Date 06111500). Used on Type No(s). 0144, 0145. (Flywheels Must Match Magneto Armatures Reference 333, By Type Number and Date Codes)	
3	841596	Seal-Oil (Magneto Side)				24	222698S	Key-Flywheel	
5	842180	Head-Cylinder (Cylinder #1) ----- <b>Note</b> ----- 842181 Head-Cylinder (Cylinder #2)				25	809790	Piston Assembly ----- <b>Note</b> ----- 841931 Piston Assembly (.020" Oversize)	
7	809730	Gasket-Cylinder Head				26	809972	Ring Set ----- <b>Note</b> ----- 841932 Ring Set (.020" Oversize)	
11	809736	Tube-Breather				27	807351	Lock-Piston Pin	
12	809727	Gasket-Crankcase				28	807361	Pin-Piston	
13	809784	Screw (Cylinder Head) (M9x70mm Long)				29	809275	Rod-Connecting	
15	807392	Plug-Oil Drain				32	807363	Screw (Connecting Rod)	
16	843290	Crankshaft (Used After Code Date 06083100). 843290 Crankshaft (Used After Code Date 06080100). Used on Type No(s). 0144, 0145. ----- <b>Note</b> ----- 809982 Crankshaft (Used Before Code Date 06090100). 809982 Crankshaft (Used Before Code Date 06080200). Used on Type No(s). 0144, 0145. 843292 Crankshaft (Used After Code Date 06083100). Used on Type No(s). 0076, 0114, 0115. 841513 Crankshaft (Used Before Code Date 06090100). Used on Type No(s). 0076, 0114, 0115.	18	842458	Cover-Crankcase		33	809901	Valve-Exhaust
			20	841596	Seal-Oil (PTO Side)	34	809902	Valve-Intake	
			21	809895	Cap-Oil Fill	35	809374	Spring-Valve (Intake)	
			22	807362	Screw (Crankcase Cover/Sump) (M8x50mm Long)	36	809374	Spring-Valve (Exhaust)	
			23	809963	Flywheel (Used After Code Date 06111400). ----- <b>Note</b> ----- 841998 Flywheel (Used After Code Date 04083100 and Before Code Date 06111500). 809963 Flywheel (Used Before Code Date 04090100).	40	807492	Retainer-Valve	
						42	807683	Keeper-Valve	
						45	809785	Tappet-Valve	
						46	809879	Camshaft	
						50	841591	Manifold-Intake (Used After Code Date 04031100). ----- <b>Note</b> ----- 809869 Manifold-Intake (Used Before Code Date 04031200).	

Engine Gasket Set Reference 358  
Carburetor Overhaul Kit Reference 121

Valve Gasket Set Reference 1095

# 543400

REF. NO.	PART NO.	DESCRIPTION	REF. NO.	PART NO.	DESCRIPTION	REF. NO.	PART NO.	DESCRIPTION
51	841592	Gasket-Intake (Used After Code Date 040311000). ----- <b>Note</b> ----- 809871 Gasket-Intake (Used Before Code Date 04031200).	117A	842633	Jet-Main (Standard) (Left Jet) ----- <b>Note</b> ----- 842629 Jet-Main (Standard) (Left Jet) Used on Type No(s). 0130, 0137, 0138, 0140, 0141, 0142, 0148, 0150, 0151, 0153.	121	841548	Kit-Carburetor Overhaul
51A	809910	Gasket-Intake				122	843268	Spacer-Carburetor (Used After Code Date 06080800). ----- <b>Note</b> ----- 809880 Spacer-Carburetor (Used Before Code Date 06080900).
54	807437	Screw (Intake Manifold)				125	841109	Carburetor ----- <b>Note</b> ----- 842080 Carburetor Used on Type No(s). 0130, 0137, 0138, 0140, 0141, 0142, 0148, 0150, 0151, 0153.
62	692539	Screw (Speed Adjustor Lever)	117B	842634	Jet-Main (Standard) (Right Jet) ----- <b>Note</b> ----- 842012 Jet-Main (Standard) (Right Jet) Used on Type No(s). 0130, 0137, 0138, 0140, 0141, 0142, 0148, 0150, 0151, 0153.	131	841551	Kit-Throttle Shaft
73	841840	Screen-Rotating (Used After Code Date 05010900). ----- <b>Note</b> ----- 809945 Screen-Rotating (Used Before Code Date 05011000).				133	841545	Float-Carburetor
73A	842248	Screen-Rotating (Used After Code Date 05010900). Used on Type No(s). 0114, 0115, 0144, 0152, 0157. ----- <b>Note</b> ----- 841350 Screen-Rotating (Used Before Code Date 05011000). Used on Type No(s). 0114, 0115, 0144.	118A	842139	Jet-Main (High Altitude) (5000 Feet) (Left Jet) ----- <b>Note</b> ----- 842627 Jet-Main (High Altitude) (Left Jet) (5000 Feet) Used on Type No(s). 0130, 0137, 0138, 0140, 0141, 0142, 0148, 0150, 0151, 0153.	135	841646	Tube-Fuel Transfer
74	809947	Screw (Rotating Screen)				137	841651	Gasket-Float Bowl
75	691056	Washer (Flywheel) (Used Before Code Date 05051100).	118B	842629	Jet-Main (High Altitude) (5000 Feet) (Right Jet) ----- <b>Note</b> ----- 842082 Jet-Main (High Altitude) (5000 Feet) (Right Jet) Used on Type No(s). 0130, 0137, 0138, 0140, 0141, 0142, 0148, 0150, 0151, 0153.	141	841549	Kit-Choke Shaft
75A	842548	Washer (Flywheel) (Used After Code Date 05051000).				142	841648	Nozzle-Carburetor
95	690718	Screw (Throttle Valve)				146	691639	Key-Timing
98	841842	Kit-Idle Speed				150	841649	Gasket-Nozzle
104	690882	Pin-Float Hinge				156	841522	Lever-Speed Adjuster
105	698537	Valve-Float Needle				161	843118	Base-Air Cleaner (Used After Code Date 06062200). ----- <b>Note</b> ----- 841851 Base-Air Cleaner (Used Before Code Date 06062300).
						163	807375	Gasket-Air Cleaner
						163A	843117	Gasket-Air Cleaner (Used After Code Date 06062200). ----- <b>Note</b> ----- 841852 Gasket-Air Cleaner (Used Before Code Date 06062300).
						167	841855	Seal-Air Cleaner Nut
						175	841653	Seal-O Ring (Carburetor Nozzle)
						187	791745	Line-Fuel (Cut to Required Length)
						187A	809921	Line-Fuel (Formed Hose)

Engine Gasket Set Reference 358  
Carburetor Overhaul Kit Reference 121

Valve Gasket Set Reference 1095

REF. NO.	PART NO.	DESCRIPTION	REF. NO.	PART NO.	DESCRIPTION	REF. NO.	PART NO.	DESCRIPTION
188	692539	Screw (Control Bracket)	219	809426	Gear-Governor	278	842122	Washer (Governor Control Lever)
192	690083	Adjuster-Rocker Arm	220	841608	Washer (Governor Gear)	290	809911	Screw (Intake Elbow (M6x55mm Long)
197	692539	Screw (Back Plate)	221	841026	Cup-Governor	290A	807421	Screw (Intake Elbow (M6x25mm Long)
202	841322	Link-Mechanical Governor	222	841492	Bracket-Control Used on Type No(s). 0076, 0078, 0100, 0110, 0111, 0112, 0113, 0114, 0115, 0119, 0121, 0122, 0127, 0129, 0131, 0132, 0139, 0144, 0147, 0152.	300	809983	Muffler
209	841012	Spring-Governor (Yellow) ----- <b>Note</b> ----- <b>809874</b> Spring-Governor (Black) Used on Type No(s). 0100, 0111. <b>841500</b> Spring-Governor (Purple) Used on Type No(s). 0113, 0114, 0152. <b>841604</b> Spring-Governor (Navy) Used on Type No(s). 0122, 0128, 0129, 0130. <b>841684</b> Spring-Governor (Green) Used on Type No(s). 0078, 0126, 0127, 0140. <b>842049</b> Spring-Governor (Red) Used on Type No(s). 0137, 0138, 0139 0142, 0147, 0150, 0153.	222A	841527	Bracket-Control Used on Type No(s). 0048, 0065, 0079, 0116, 0118, 0124, 0131, 0145, 0154, 0158.	300A	841530	Muffler Used on Type No(s). 0116, 0128.
			222B	841528	Bracket-Control Used on Type No(s). 0120, 0126, 0128, 0130, 0137, 0138, 0140, 0141, 0142, 0146, 0148, 0150, 0151, 0153.	300B	841680	Muffler Used on Type No(s). 0124.
			226	841613	Rod-Choke	300C	841836	Muffler
			227	809984	Lever-Governor Control	300D	842262	Muffler
			230	842855	Washer (Control Bracket)	301	841518	Pipe-Exhaust
			230A	842856	Washer (Control Bracket) (Flange)	304	809959	Housing-Blower ----- <b>Note</b> ----- <b>841542</b> Housing-Blower (Oil Cooler) Used on Type No(s). 0114, 0139, 0147, 0148, 0152.
			231	690718	Screw (Choke Valve)	309	807383	Motor-Starter
			232	690545	Spring-Governor Link	332	807356	Nut (Flywheel) (Used Before Code Date 05051100).
			239	841281	Switch-Oil Pressure ----- <b>Note</b> ----- <b>697049</b> Switch-Oil Pressure Used on Type No(s). 0114, 0152.	332A	842222	Nut (Flywheel) (Used After Code Date 05051000).
211	809875	Spring-Governed Idle				333	841279	Armature-Magneto (Used After Code Date 04083100). ----- <b>Note</b> ----- <b>691060</b> Armature-Magneto (Used Before Code Date 04090100). Used on Type No(s). 0100, 0111, 0112, 0113, 0115.
211A	690707	Spring-Governed Idle (Control Bracket)	240	695666	Filter-Fuel	334	692066	Screw (Magneto Armature)
215	809728	Guide-Air (Cylinder #1)	265	691024	Clamp-Casing			
215A	809737	Guide-Air (Cylinder #2)	265A	841673	Clamp-Casing			
215B	809897	Guide-Air (Cylinder #2)	266	841521	Control-Throttle			
215C	809738	Guide-Air (Cylinder #1)	267	841552	Screw (Casing Clamp)			
215D	809739	Guide-Air (Valley)	267A	841672	Screw (Casing Clamp)			
216	809788	Link-Choke	273	690681	Seal-O Ring (Oil Pump)			
216A	841671	Link-Choke (Control Bracket)	276	841654	Washer-Sealing (Fuel Solenoid)			

Engine Gasket Set Reference 358  
Carburetor Overhaul Kit Reference 121

Valve Gasket Set Reference 1095

# 543400

REF. NO.	PART NO.	DESCRIPTION	REF. NO.	PART NO.	DESCRIPTION	REF. NO.	PART NO.	DESCRIPTION
337	792015	Plug-Spark ----- <b>Note</b> ----- <b>491055S</b> Plug-Spark Used on Type No(s). 0100, 0112, 0113, 0116, 0118, 0120, 0124, 0126, 0127, 0128, 0129, 0130, 0137, 0138, 0139, 0141, 0144, 0145, 0148, 0151, 0158.	445	841497	Filter-Air Cleaner Cartridge	536	809670	Cleaner-Air
344	841233	Screw (Cable Clamp)	445A	821136	Filter-Air Cleaner Cartridge	541	841525	Washer (Speed Adjuster Lever)
358	841122	Gasket Set-Engine	445B	692519	Filter-Air Cleaner Cartridge	541A	841526	Washer (Speed Adjuster Lever)
363	19203	Puller-Flywheel	448	841504	Bracket-Oil Cooler Used on Type No(s). 0139, 0147, 0148. ----- <b>Note</b> ----- <b>842223</b> Bracket- Oil Cooler Used on Type No(s). 0114, 0152.	562	843344	Bolt (Governor Control Lever)
365	841853	Screw (Carburetor) (M6x103mm Long) ----- <b>Note</b> ----- <b>807437</b> Screw (Carburetor) (M6x85mm Long)	467	841846	Knob-Air Cleaner	573	809956	Plate-Back
383	19374S	Wrench-Spark Plug	467A	691985	Knob-Air Cleaner	580	809894	Seal-O Ring (Oil Fill Cap)
385	809876	Screw (Fuel Pump)	468	690690	Seal-O Ring (Oil Pump Screen)	582	809878	Clamp-Air Cleaner
387	842920	Pump-Fuel	474	696579	Alternator (20 Amp)	587	807386	Clamp-Cable
400	841501	Cooler-Oil ----- <b>Note</b> ----- <b>808657</b> Cooler-Oil Used on Type No(s). 0114, 0152.	474A	841178	Alternator (20/50 Amp) Used on Type No(s). 0144, 0145.	596	691492	Screw (Oil Pump)
404	809436	Washer (Governor Crank)	479	807084	Screw (Oil Pump Screen)	601	841499	Clamp-Hose (Breather Tube)
415	690283	Plug (Oil Pressure Switch) Used on Type No(s). 0100, 0112, 0113, 0137, 0140, 0141, 0146, 0150.	500	691086	Washer (Key Switch)	601A	841597	Clamp-Hose (Oil Cooler)
417	810074	Screw (Oil Cooler)	501	691573	Regulator (20 Amp) ----- <b>Note</b> ----- <b>841170</b> Regulator (20/50 Amp) Used on Type No(s). 0144, 0145.	601C	691038	Clamp-Hose
418	843346	Plate-Carburetor Cover	505	690238	Nut (Governor Control Lever)	601D	841502	Clamp-Hose
431	841539	Elbow-Intake	506	809957	Screw (Carburetor Cover)	607	807385	Screw (Air Cleaner Brace) (M6x35mm Long)
431A	843116	Elbow-Intake (Used After Code Date 06062200). ----- <b>Note</b> ----- <b>841854</b> Elbow-Intake (Used Before Code Date 06062300).	523	841007	Dipstick	613	809743	Screw (Muffler) (M8x25mm Long) ----- <b>Note</b> ----- <b>692062</b> Screw (Muffler) (M6x18mm Long)
436B	841681	Manifold-Exhaust	525	807449	Tube-Dipstick	615	809533	Retainer-Governor Shaft (Cylinder)
439	692154	Seal-O Ring (Crankcase Cover/Sump)	526	691547	Screw (Regulator) (M6x28mm Long)) ----- <b>Note</b> ----- <b>807385</b> Screw (Regulator) (M6x35mm Long) Used on Type No(s). 0144, 0145.	615A	698290	Retainer-Governor Shaft (Crankcase Cover/Sump)
			527	690423	Clamp-Tube	616	842665	Crank-Governor (Used After Code Date 05070700). ----- <b>Note</b> ----- <b>809433</b> Crank- Governor (Used Before Code Date 05070800).
			534	692062	Screw (Air Cleaner)	633	690722	Seal-Choke/Throttle Shaft
						635	692076	Boot-Spark Plug
						643	841850	Retainer-Air Filter
						646	841849	Brace-Air Cleaner
						652	807084	Screw (Support Bracket)

Engine Gasket Set Reference 358  
Carburetor Overhaul Kit Reference 121

Valve Gasket Set Reference 1095

REF. NO.	PART NO.	DESCRIPTION	REF. NO.	PART NO.	DESCRIPTION	REF. NO.	PART NO.	DESCRIPTION
664	691087	Nut (Key Switch)	851	493880S	Terminal-Spark Plug	1013	809505	Nipple-Oil Filter
668	841974	Spacer (Blower Housing)	855	809896	Adapter-Air Cleaner	1013A	841602	Nipple-Oil Filter
672	841655	Gasket-Carburetor Plate	868	691963	Seal-Valve	1017	809421	Screen-Oil Pump
691	809287	Seal-Governor Shaft	871	692057	Bushing-Valve Guide	1022	809732	Gasket-Rocker Cover
703	807116	Clip (Carburetor Fuel Inlet)	877D	698092	Wire/Connector- Alternator	1023	809789	Cover-Rocker (Rocker Cover #2)
708	841301	Seal-O Ring (Breather Reed)	879	809955	Cover-Carburetor	1023A	809731	Cover-Rocker (Rocker Cover #1)
711	691492	Screw (Carburetor Shield)	883	809872	Gasket-Exhaust	1024	841291	Pump-Oil
717	841886	Bracket-Air Cleaner	884	841968	Clamp-Muffler Used on Type No(s). 0124.	1026	809783	Rod-Push
717A	842730	Bracket-Air Cleaner Used on Type No(s). 0146.	890	809987	Bracket-Support	1027	842921	Filter-Oil
718	690959	Pin-Locating (Cylinder)	890A	841614	Bracket-Support	1029	807323	Arm-Rocker
718A	809508	Pin-Locating (Cylinder Head)	892	692318	Switch-Key	1036		Label-Emissions (Available from a Briggs & Stratton Authorized Dealer)
725	841132	Shield-Heat	896	807357	Screw (Rocker Cover) (M6x40mm Long)	1047	841304	Shaft-Stub Used on Type No(s). 0114, 0115, 0144.
728	692062	Screw (Heat Shield)	920	825418	Solenoid-Starter			----- <b>Note</b> -----
741	809432	Gear-Timing	947	841546	Solenoid-Fuel			<b>843342</b> Shaft-Stub Used on Type No(s). 0152.
750	692539	Screw (Oil Pump Cover)	965	809422	Cover-Oil Pump	1054	280275	Tie-Cable
789	809906	Harness-Wiring	967	692520	Filter-Pre Cleaner	1058	277112	Operator's Manual ----- <b>Note</b> -----
789A	809967	Harness-Wiring	968	841847	Cover-Air Cleaner			<b>MS3854</b> Operator's Manual Used on Type No(s). 0076, 0078, 0079, 0121, 0122, 0137, 0139, 0140, 0142, 0146, 0147, 0154.
798	691492	Screw (Rocker Arm)	968A	842621	Cover-Air Cleaner			
806	807357	Screw (Lifting Bracket)	975	841650	Bowl-Float			
813	807376	Clamp	987	808183	Seal-Throttle Shaft			
829	841503	Hose-Oil (Oil Cooler)	990	691959	Key Set			
832	841682	Guard-Muffler Used on Type No(s). 0124.	996	843119	Shield-Carburetor (Used After Code Date 06062200). ----- <b>Note</b> -----			
836	692539	Screw (Muffler Guard) Used on Type No(s). 0124.			<b>841848</b> Shield- Carburetor (Used Before Code Date 06062300).	1070	807435	Screw (Flywheel Fan)
843	809672	Sleeve-Lever	1005	809950	Fan-Flywheel (Used After Code Date 05010900). ----- <b>Note</b> -----	1077	809729	Bracket-Lifting
843A	842745	Sleeve-Lever			<b>843478</b> Fan-Flywheel (Used Before Code Date 05011000).	1095	841123	Gasket Set-Valve
849	691110	Screw (Stub Shaft) Used on Type No(s). 0114, 0115, 0144, 0152.	1006	809999	Retainer-Fan	1100	791959	Pivot-Rocker Arm
			1009	690711	Screw (Starter Motor) (M8x38mm Long)	1119	691552	Screw (Alternator)
						1123	841653	Seal-O Ring (Solenoid Retainer)
						1124	841647	Seal-O Ring (Fuel Transfer Tube)

Engine Gasket Set Reference 358  
Carburetor Overhaul Kit Reference 121

Valve Gasket Set Reference 1095

# 543400

REF. NO.	PART NO.	DESCRIPTION	REF. NO.	PART NO.	DESCRIPTION	REF. NO.	PART NO.	DESCRIPTION
1126	841619	Screw (Fuel Transfer Tube)	1263	841324	Reed-Breather	1336	841015	Shield-Wire Protective
1127	841621	Screw (Float Bowl)	1315	809905	Hose-Air Cleaner	1337	807382	Screw (Air Cleaner Bracket)
1128	841620	Screw (Carburetor Nozzle)	1319	794467	Label-Warning	1338	809334	Tray-Oil Drip
1130	841590	Stud (Intake Manifold) (Used After Code Date 04031100).	1330	272144	Repair Manual	1339	807435	Screw (Oil Drip Tray)
1155	806647	Washer (Oil Cooler)	1332	809948	Washer (Rotating Screen)	1366	841510	Diverter-Oil Cooler
1169	841620	Screw (Carburetor Cover Plate)	1334	807435	Screw (Air Guide) (M4x20 mm Long)	1369	842858	Guard-Flywheel Fan
1174	842067	Nut (Intake Manifold) (Used After Code Date 04031100).	1334A	841233	Screw (Air Guide) (M6x10mm Long)	1370	692539	Screw (Flywheel Fan Guard)
1212	809958	Stud (Blower Housing)	1334B	692062	Screw (Air Guide) (M8x18mm Long)	1371	841537	Nut (Flywheel Fan Guard)
			1334C	690677	Screw (Air Guide) (M4x12mm Long)	1372	809946	Stud (Rotating Screen)
			1335	690939	Nut (Blower Housing)	1373	692539	Screw (Oil Cooler Bracket)
						1374	841506	Seal-O Ring (Oil Cooler Diverter)
						1375	841550	Cover-Breather/Reed
						1376	806421	Screw (Breather/Reed Cover)
						1406	842623	Valve-Debris
						1416	807468	Cap-Carburetor

Engine Gasket Set Reference 358  
Carburetor Overhaul Kit Reference 121

Valve Gasket Set Reference 1095