



Illustrated Parts List

Model Series

350700

TYPE NUMBERS
0034 through 1171.

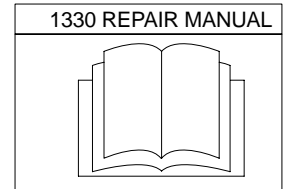
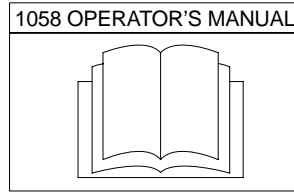
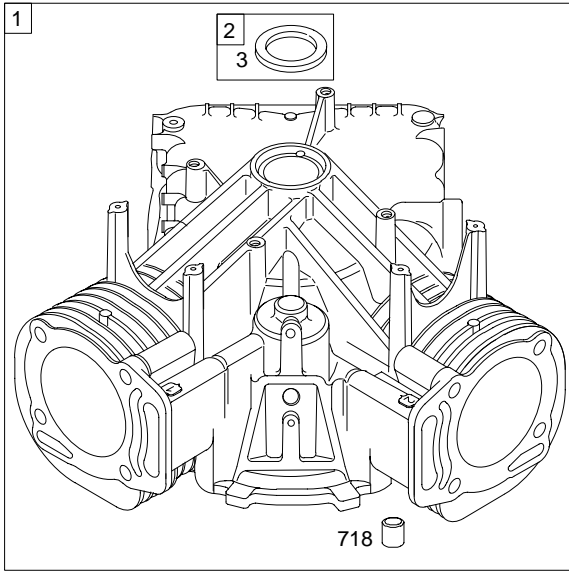
TABLE OF CONTENTS

Air Cleaner	9
Alternator	8
Blower Housing	13
Camshaft	4
Carburetor	5 & 6
Carburetor Overhaul Kit	3
Controls	8
Crankshaft	4
Crankcase Cover/Sump	2
Cylinder	2
Cylinder Head	7
Electric Starter	15
Engine Gasket Set	3
Exhaust System	10
Flywheel	12
Governor Spring	8
Ignition	8
Intake Manifold	4
Lubrication	16
Piston/Rings/Connecting Rod	2
Rewind Starter	11
Shrouds	14
Valve Gasket Set	3

PRINTED IN U.S.A.



COPYRIGHT by BRIGGS & STRATTON CORPORATION
All rights reserved. No part of this material may be reproduced or transmitted, in any form or by any means, electronic or mechanical, including photocopying, recording or by any information storage and retrieval system, without permission in writing from Briggs & Stratton Corporation.

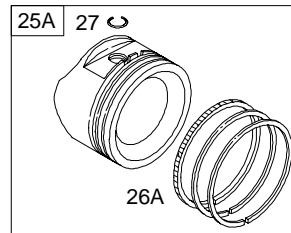
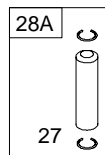
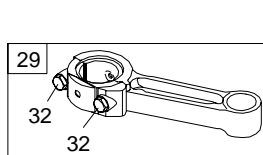
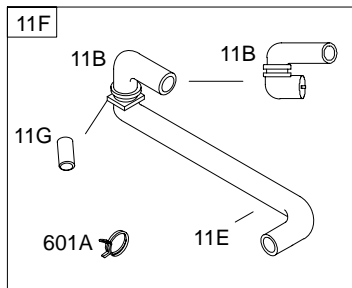
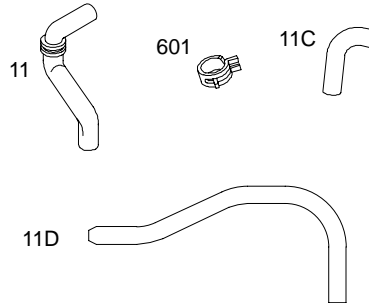
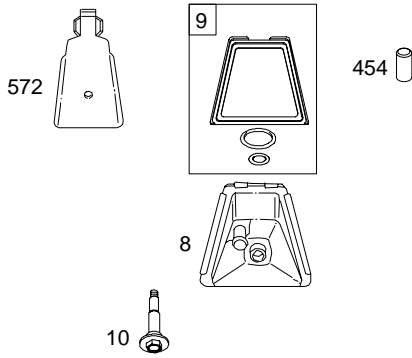


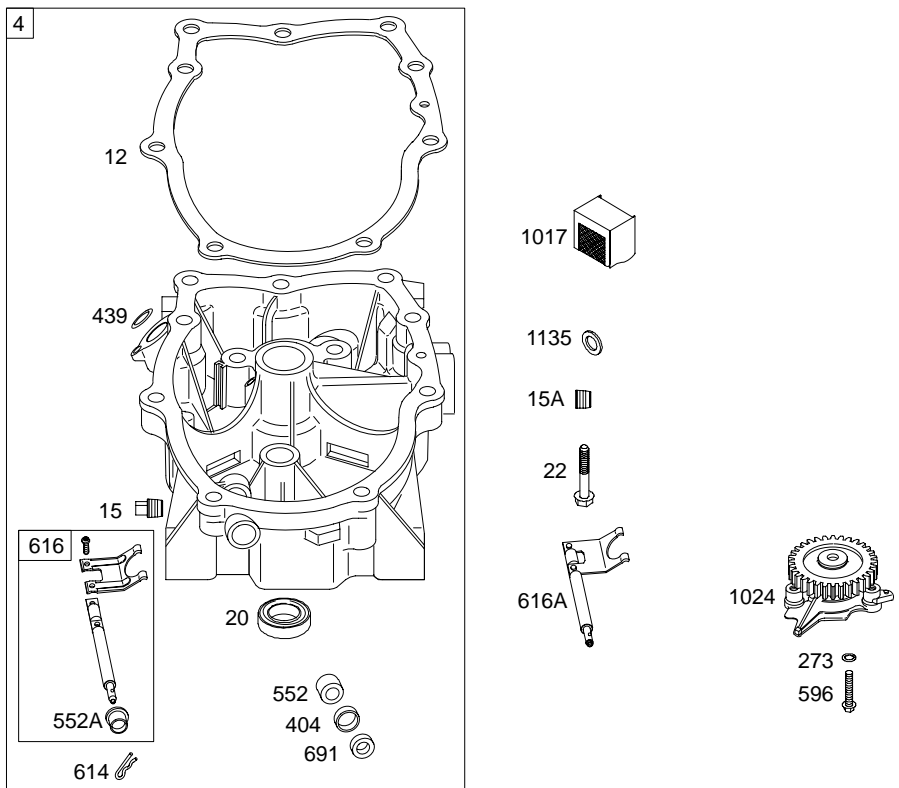
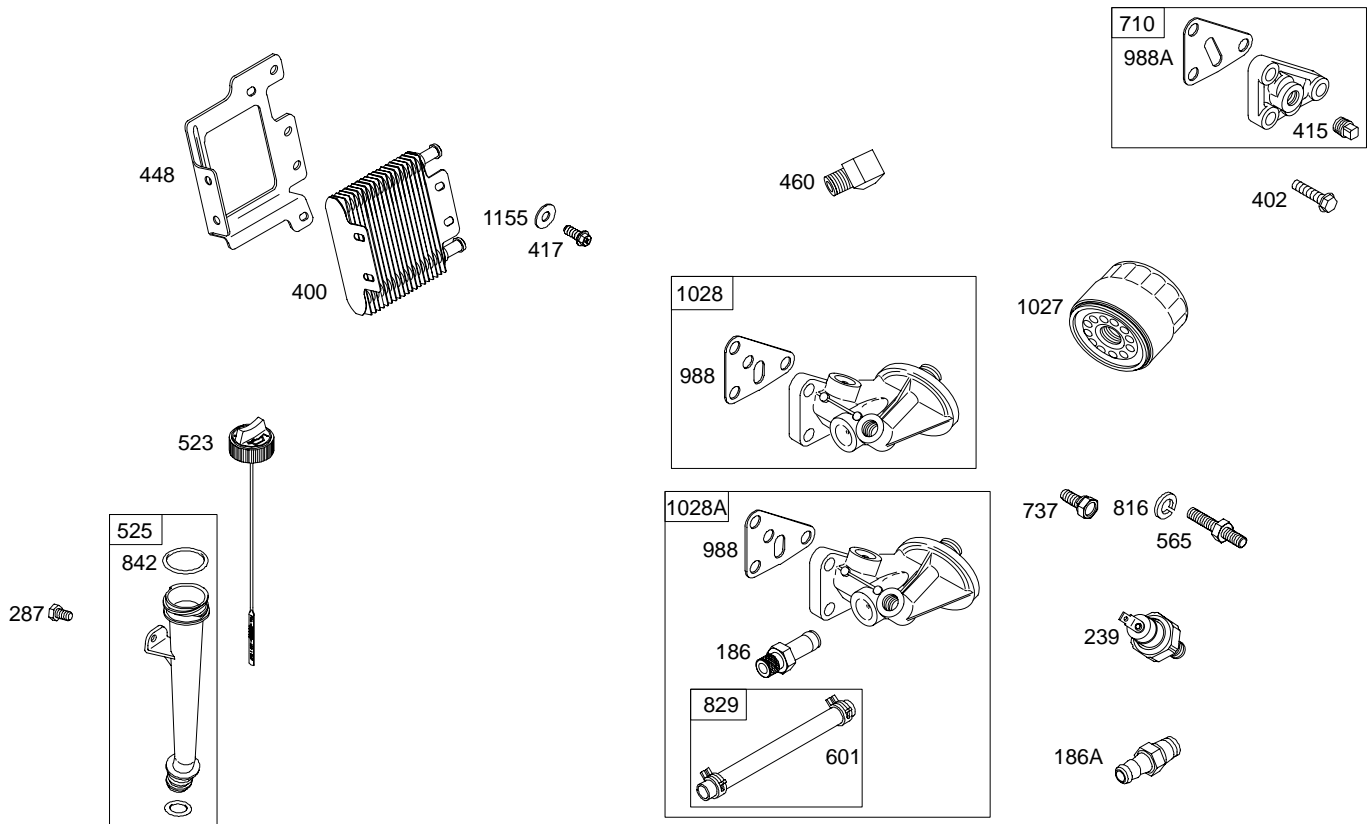
1319 WARNING LABEL

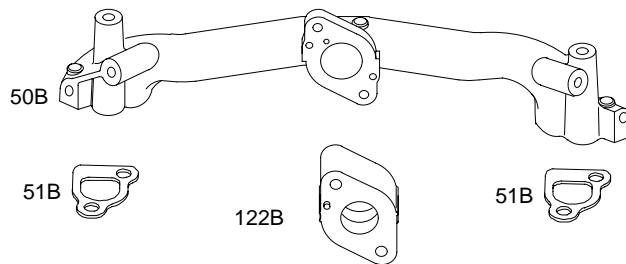
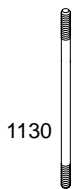
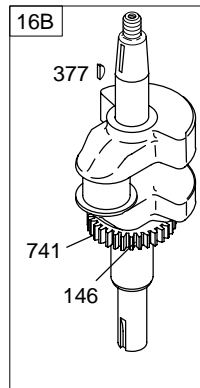
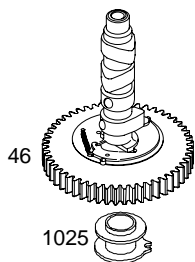
WARNING

- Read and follow Operating Instructions before running engine.
- Gasoline is flammable. Allow engine to cool at least 2 minutes before refueling.
- Engines emit carbon monoxide, DO NOT run in enclosed area.
- Muffler area temperature may exceed 150°F. Do not touch hot parts.

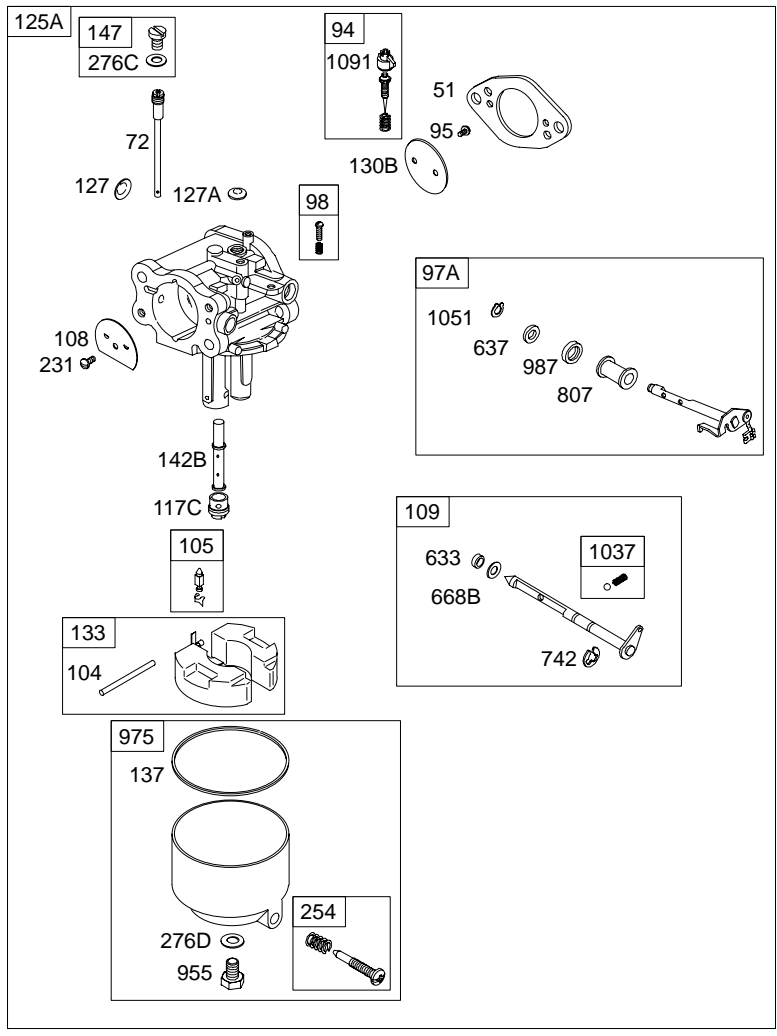
REQUIRED when replacing parts with warning labels affixed.

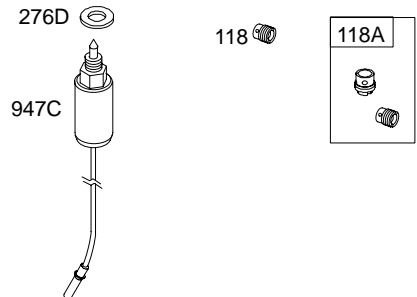
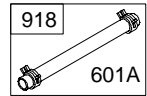
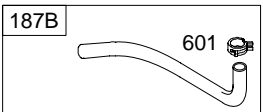
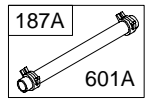
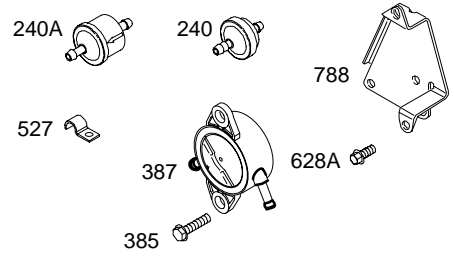
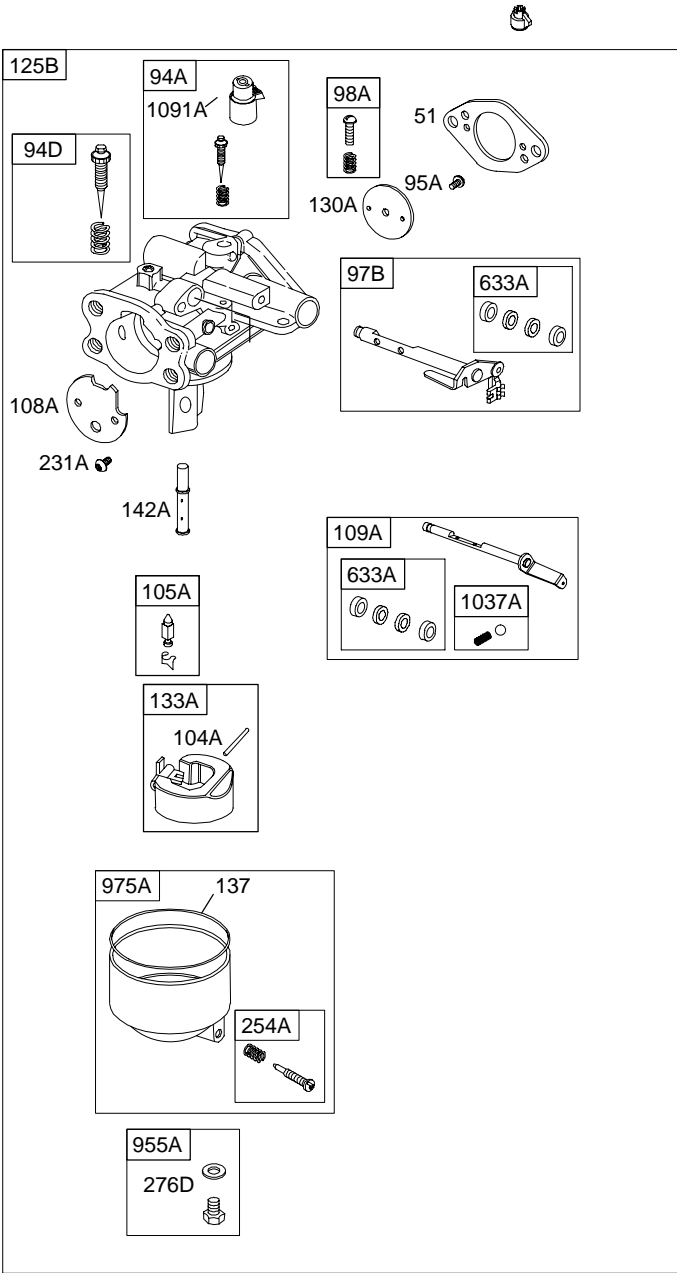


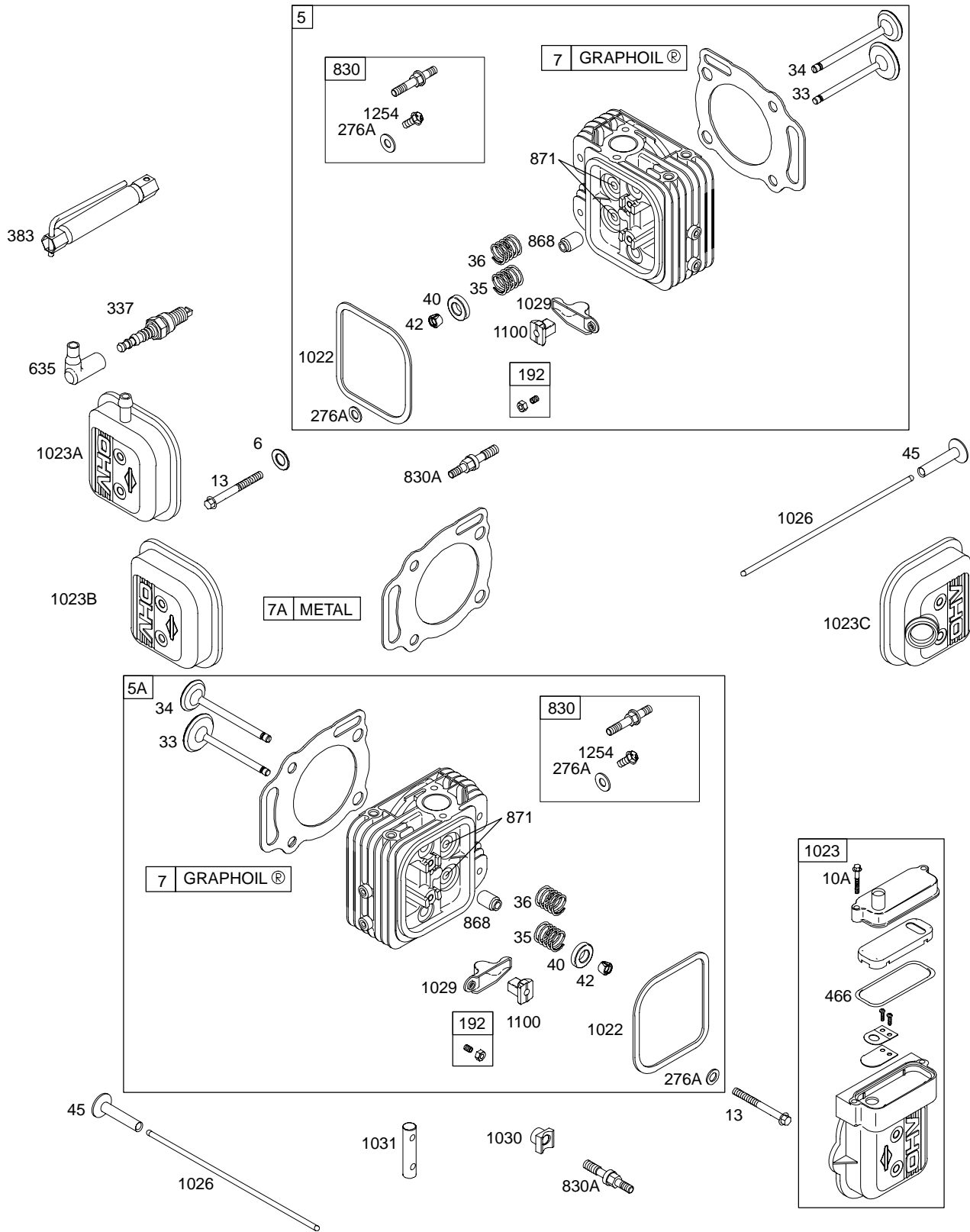




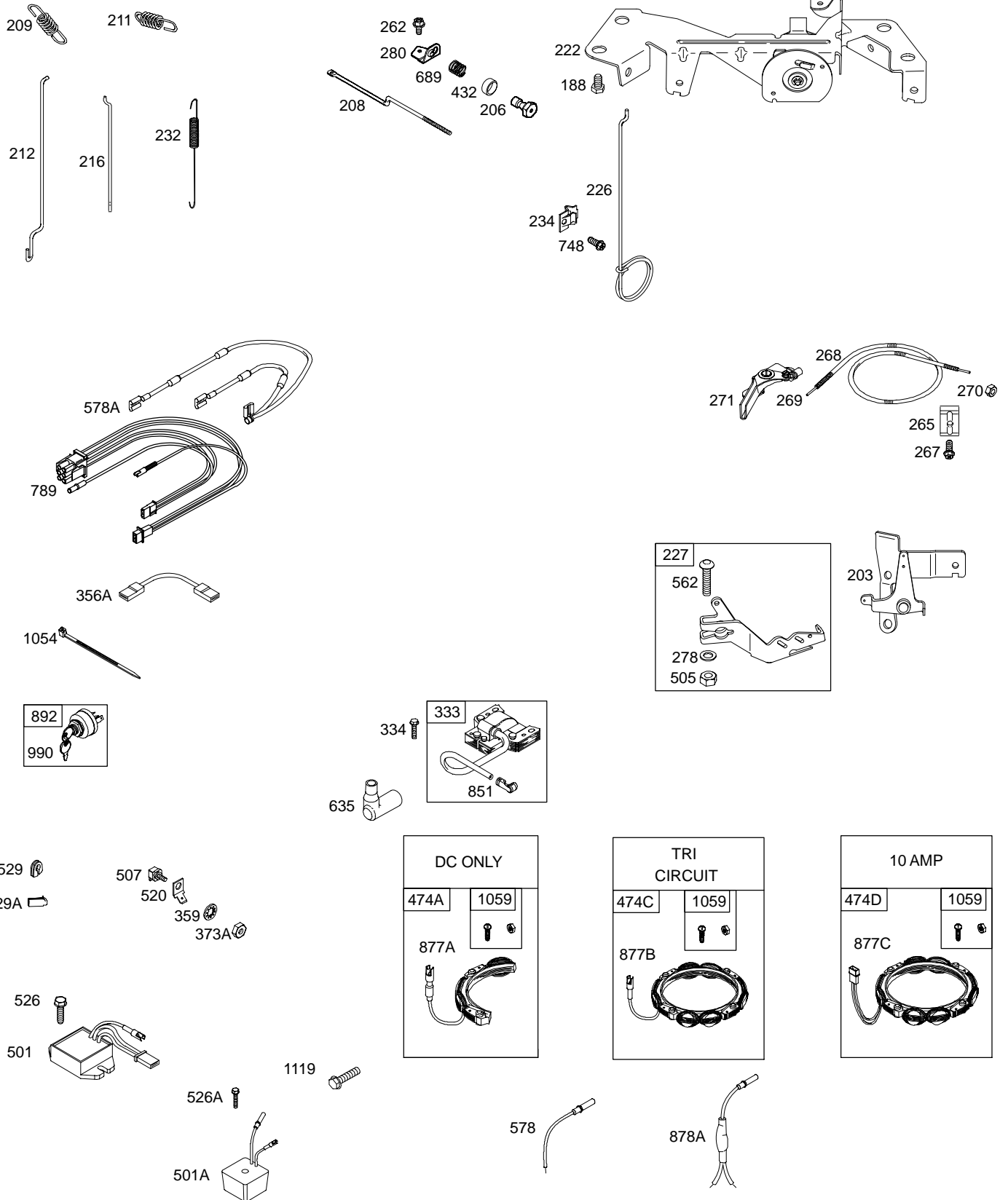
654

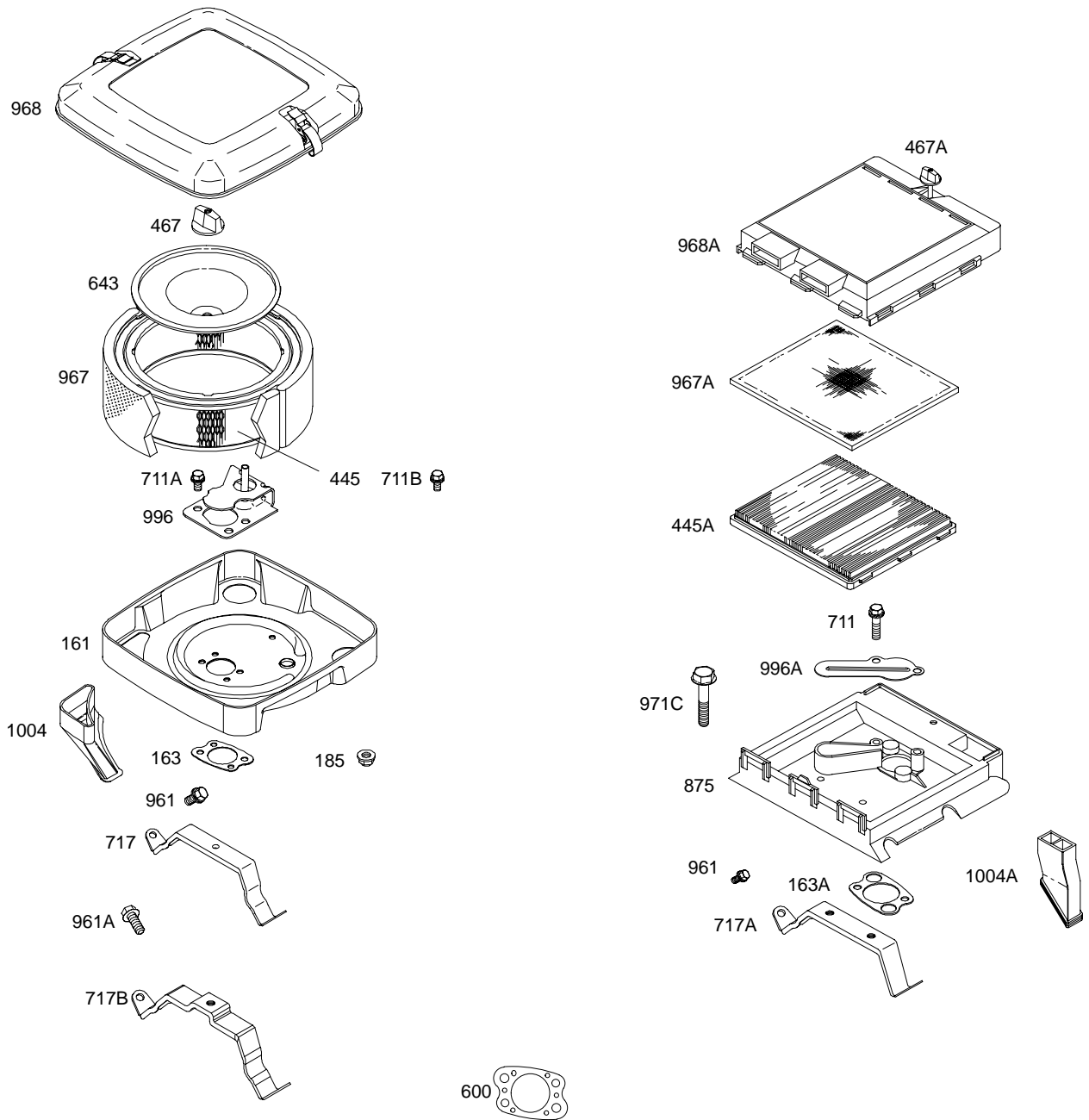


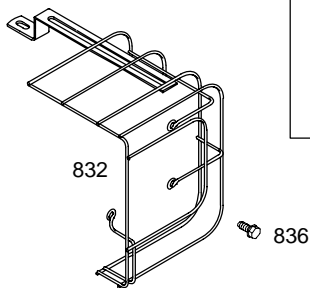
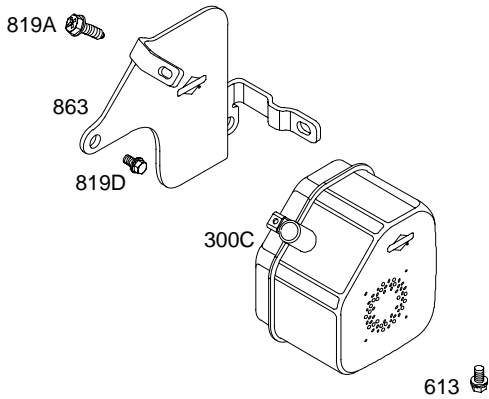
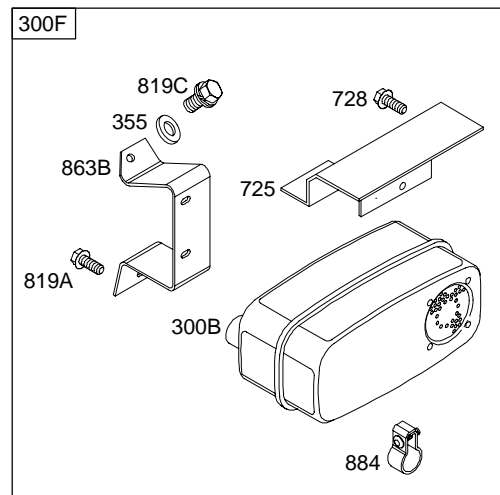
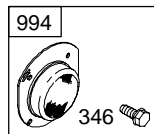
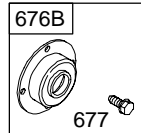
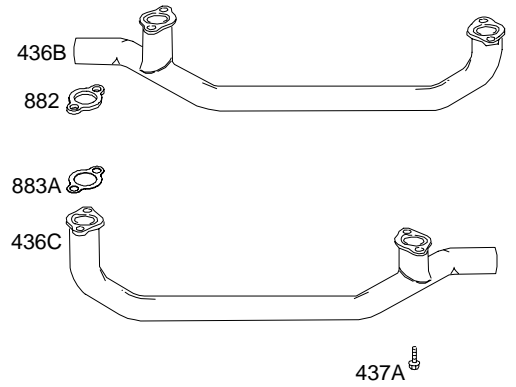
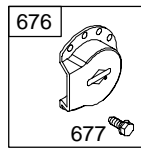
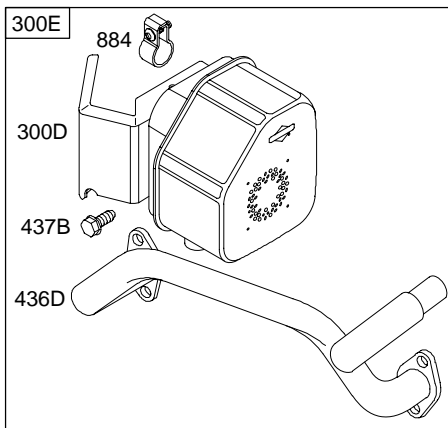


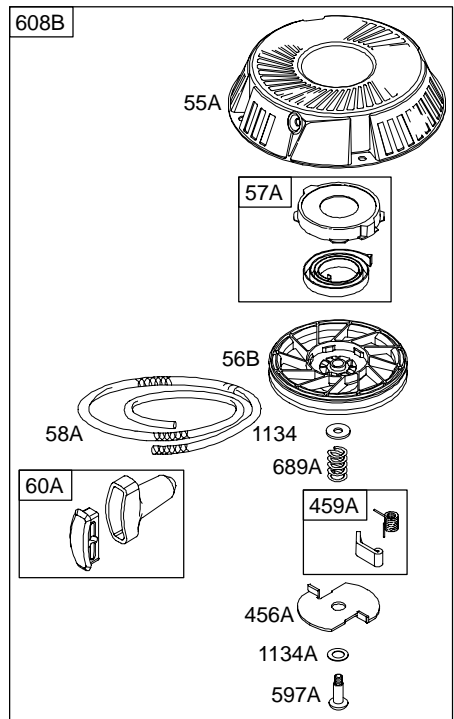
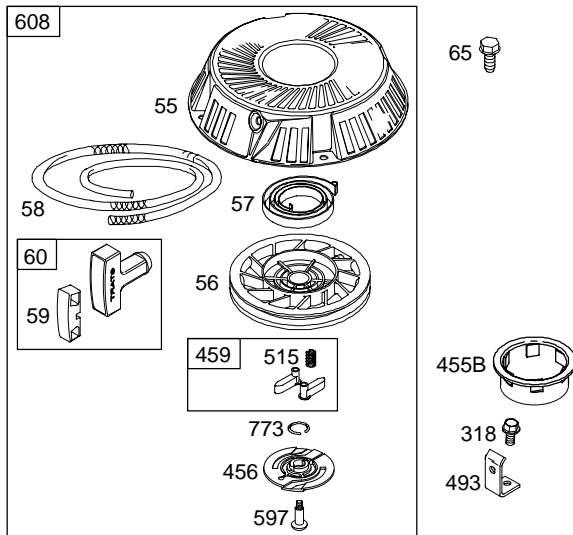


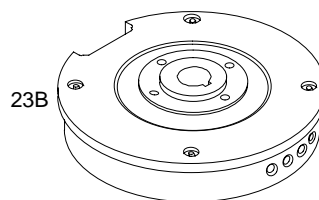
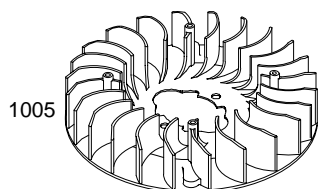
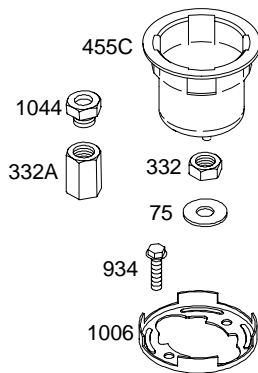
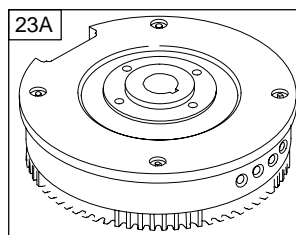
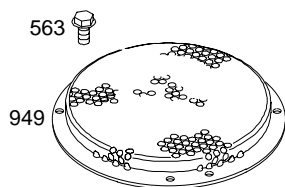
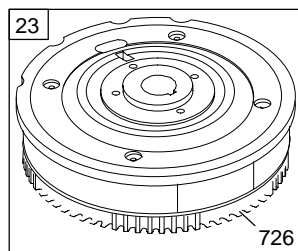
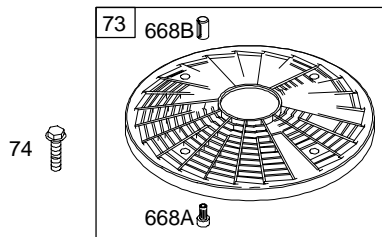
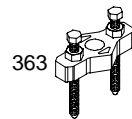
350700

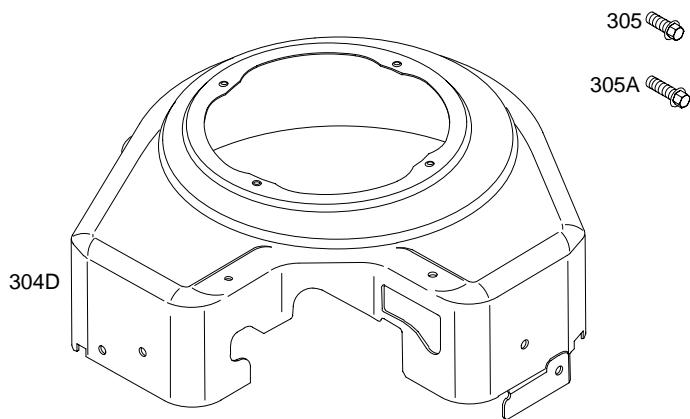
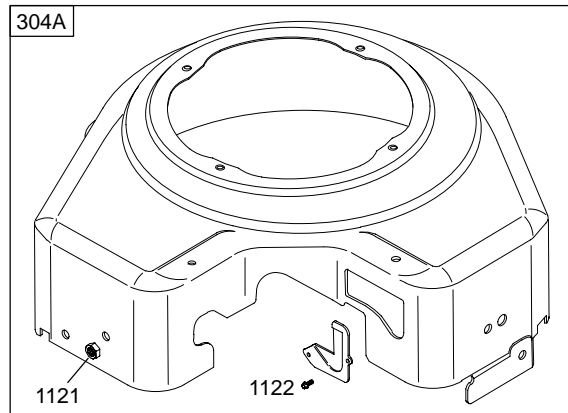




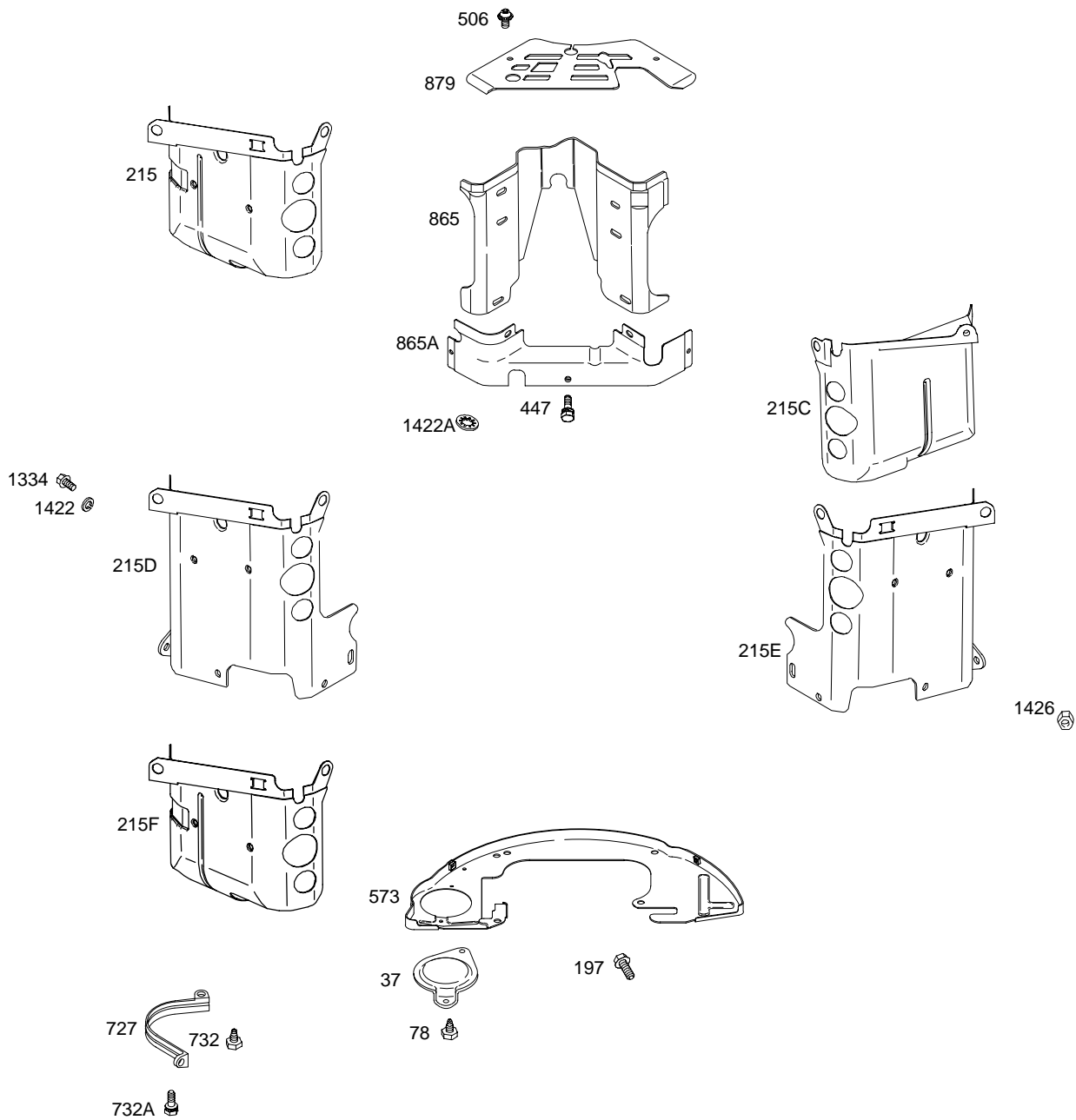


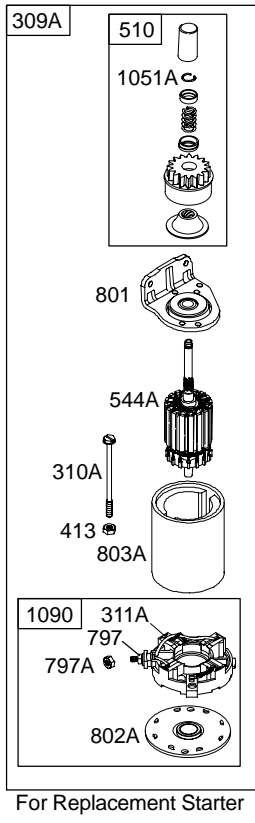
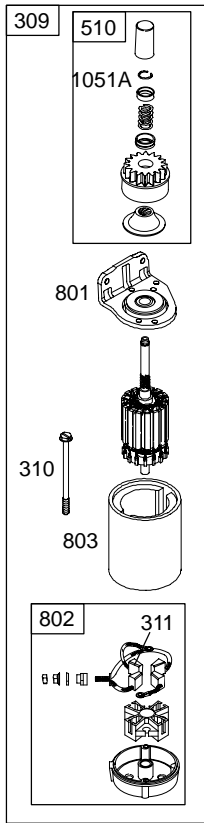




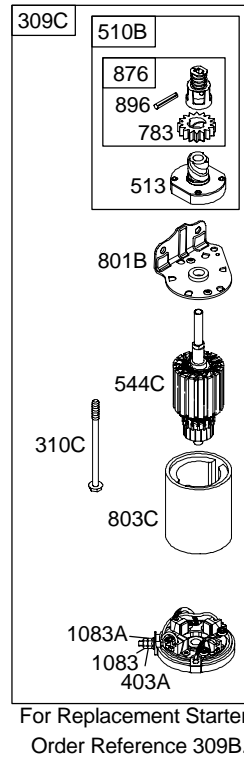
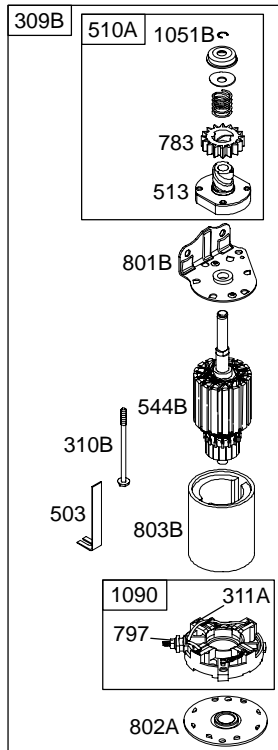


1036 EMISSIONS LABEL





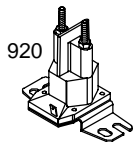
For Replacement Starter
Order Reference 309.



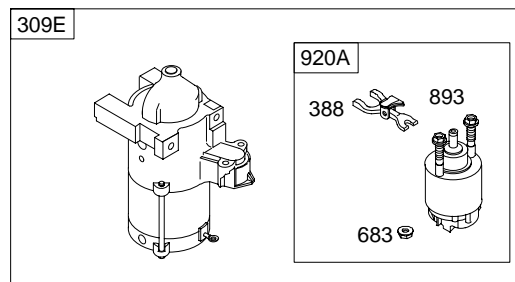
For Replacement Starter
Order Reference 309B.



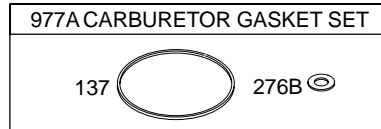
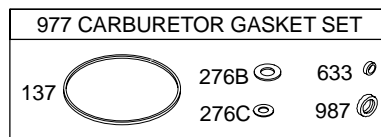
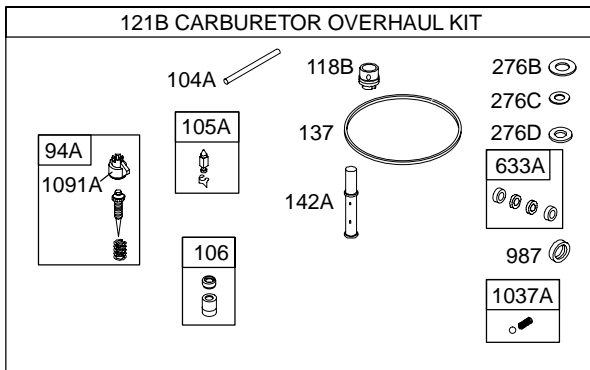
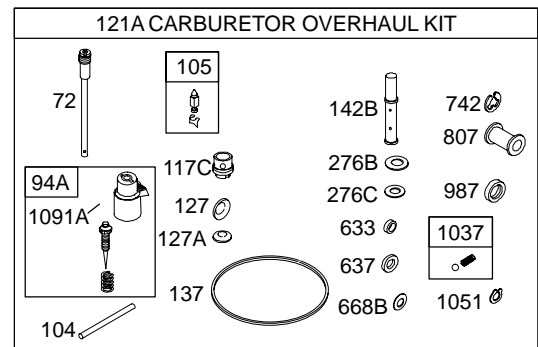
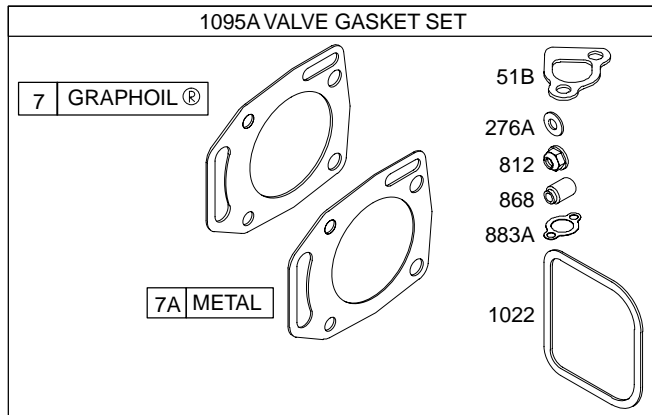
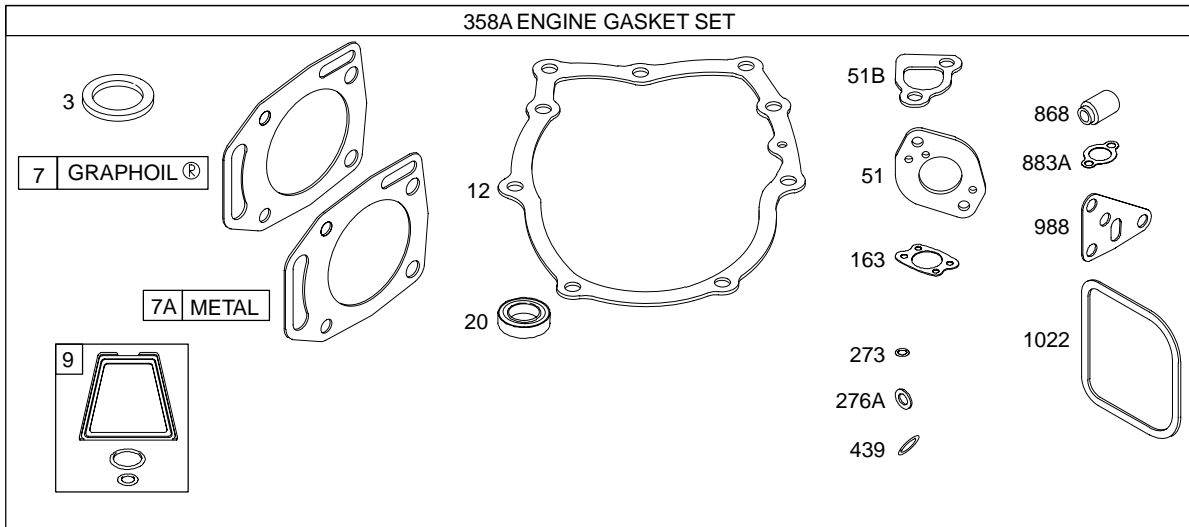
697



920



1009



REF. NO.	PART NO.	DESCRIPTION	REF. NO.	PART NO.	DESCRIPTION	REF. NO.	PART NO.	DESCRIPTION
1	692545	Cylinder Assembly (Used After Code Date 97043000). ----- Note ----- 807787 Cylinder Assembly (Used Before Code Date 97050100). Cylinder Assembly (NO LONGER AVAILABLE) Used on Type No(s). 1137, 1154.	11	806083S	Tube-Breather	23	808768	Flywheel (Steel Ring Gear) ----- Note ----- 808776 Flywheel (Steel Ring Gear) Used on Type No(s). 1147, 1149, 1155, 1157, 1158, 1163, 1164, 1167, 1168, 1169, 1171.
2	808534	Kit-Bushing/Seal (Magneto Side) (Used After Code Date 97043000). ----- Note ----- 807687 Kit-Bushing/Seal (Magneto Side) (Used Before Code Date 97050100).	11B	841017	Tube-Breather Used on Type No(s). 1163, 1168. ----- Note ----- 841020 Tube-Breather Used on Type No(s). 1169.	23A	690921	Flywheel (Aluminum Ring Gear)
3	805101S	Seal-Oil (Magneto Side)	11C	841018	Tube-Breather Used on Type No(s). 1163, 1168.	23B	690922	Flywheel (Rewind Start) Used on Type No(s). 0045, 0102, 1045, 1102.
4	808846	Sump-Engine	11D	841019	Tube-Breather Used on Type No(s). 1163, 1168.	25A	808326	Piston Assembly (Standard) ----- Note ----- 808336 Piston Assembly (.010" Oversize) 808337 Piston Assembly (.020" Oversize)
5	809185	Head-Cylinder (Cylinder #1)	11E	841021	Tube-Breather Used on Type No(s). 1169.	26A	807889	Ring Set (Standard) ----- Note ----- 807995 Ring Set (.020" Oversize)
5A	809186	Head-Cylinder (Cylinder #2)	11F	808686	Tube-Breather Used on Type No(s). 1169.	27	690683	Lock-Piston Pin
6	805193	Washer (Cylinder Head) (Used Before Code Date 94050100).	11G	841022	Tube-Breather	28A	807886	Pin-Piston
7	690888	Gasket-Cylinder Head (Graphoil) (Used After Code Date 96033100).	12	842589	Gasket-Crankcase	29	807900S	Rod-Connecting (Standard) ----- Note ----- 807803 Rod-Connecting (.020" Undersize)
7A	805653S	Gasket-Cylinder Head (Metal) (Used Before Code Date 96040100).	13	692059	Screw (Cylinder Head)	32	690698	Screw (Connecting Rod)
8	808988	Breather Assembly	15	690946	Plug-Oil Drain (Square Head)	33	807681	Valve-Exhaust
9	809094	Gasket-Breather	15A	691680	Plug-Oil Drain (Square Socket)	34	807680	Valve-Intake
10	690751	Screw (Breather Assembly)	16B	809807	Crankshaft (Used After Code Date 97043000). ----- Note ----- 807779 Crankshaft (Used Before Code Date 97050100). 809815 Crankshaft Used on Type No(s). 0119.	35	692084	Spring-Valve (Intake)
10A	806421	Screw (Breather Assembly) Used on Type No(s). 1163, 1168, 1169.	20	805049S	Seal-Oil (PTO Side)	36	692084	Spring-Valve (Exhaust)
			22	807362	Screw (Crankcase Cover/Sump)			

Engine Gasket Set-Reference 358A
Carburetor Overhaul Kit-Reference 121A or 121B

Carburetor Gasket Set-Reference 977 or 977A
Valve Gasket Set-Reference 1095A

350700

REF. NO.	PART NO.	DESCRIPTION	REF. NO.	PART NO.	DESCRIPTION	REF. NO.	PART NO.	DESCRIPTION
37	841309	Guard-Flywheel	94	808258	Kit-Idle Mixture (Used Before Code Date 96010800).	121A	842886	Kit-Carburetor Overhaul (Used After Code Date 98093000).
40	692058	Retainer-Valve	94A	808260	Kit-Idle Mixture (Used Before Code Date 95100100).			----- Note -----
42	807683	Keeper-Valve	94B	808374	Kit-Idle Mixture (Used After Code Date 96010700).			842887 Kit-Carburetor Overhaul (Used Before Code Date 98100100).
45	690977	Tappet-Valve	94D	494923	Kit-Idle Mixture (Used After Code Date 95093000).	121B	808263	Kit-Carburetor Overhaul (Used After Code Date 95093000).
46	691557	Camshaft	95	690728	Screw (Throttle Valve)			----- Note -----
50B	690754	Manifold-Intake ----- Note ----- 692156 Manifold-Intake Used on Type No(s). 1141, 1159.	95A	94466	Screw (Throttle Valve)			807917 Kit-Carburetor Overhaul (Used Before Code Date 95100100).
51	691694	Gasket-Intake (Manifold/Carburetor Spacer)	97A	808375	Shaft-Throttle	122B	690748	Spacer-Carburetor
51B	692035	Gasket-Intake (Manifold/Heads)	97B	807909	Shaft-Throttle	125A	808725	Carburetor
54	690676	Screw (Intake Manifold)	98	807705	Kit-Idle Speed	125B		Carburetor (Serviced By 808725 Carburetor Only)
55	691568	Housing-Rewind Starter	98A	494690	Kit-Idle Speed			
55A	492193	Housing-Rewind Starter	104	690739	Pin-Float Hinge			
56	692085	Pulley-Starter	104A	231652	Pin-Float Hinge			
56B	281235	Pulley-Starter	105	807706	Valve-Float Needle	127	690731	Plug-Welch (6.9mm Diameter)
57	692086	Spring-Rewind Starter	105A	808023	Valve-Float Needle			
57A	492194	Spring-Rewind Starter	106		Seat-Inlet (Sold in Kit Only)	127A	690730	Plug-Welch (9mm Diameter)
58	66574	Rope-Starter (Cut To Required Length)	108	690729	Valve-Choke	130A	224533	Valve-Throttle
58A	695002	Rope-Starter (Cut To Required Length)	108A	224534	Valve-Choke	130B	806470	Valve-Throttle (Used After Code Date 98062600).
59	805957	Insert-Grip	109	807711	Shaft-Choke			----- Note -----
60	808167	Grip-Starter Rope	109A	807911	Shaft-Choke			690732 Valve-Throttle (Used Before Code Date 98062700).
60A	490652	Grip-Starter Rope	117C	806471	Jet-Main (Standard) (Used After Code Date 98093000).	133	807710	Float-Carburetor
65	691982	Screw (Rewind Starter)			----- Note ----- 691554 Jet-Main (Standard) (Used Before Code Date 98100100).	133A	492283	Float-Carburetor
72	806480	Tube-Jet				137	806481	Gasket-Float Bowl
73	494439	Screen-Rotating				142A	231781	Nozzle-Carburetor (Standard)
74	691647	Screw (Rotating Screen)	118	231780	Jet-Main (High Altitude)	142B	691555	Nozzle-Carburetor (Standard)
75	691490	Washer (Flywheel) (Used Before Code Date 95050100).	118A	807907	Jet-Main (High Altitude)	146	691639	Key-Timing
78	690688	Screw (Flywheel Guard)	118B	809693	Jet-Main (High Altitude)	147	807714	Jet-Pilot (Low Speed)
						161	691561	Base-Air Cleaner ----- Note ----- 842830 Base-Air Cleaner Used on Type No(s). 1163, 1168.
						163	692081	Gasket-Air Cleaner (Used With Metal Air Cleaner Base)
						163A	692052	Gasket-Air Cleaner (Used With Plastic Air Cleaner Base)

Engine Gasket Set-Reference 358A
Carburetor Overhaul Kit-Reference 121A or 121B

Carburetor Gasket Set-Reference 977 or 977A
Valve Gasket Set-Reference 1095A

REF. NO.	PART NO.	DESCRIPTION	REF. NO.	PART NO.	DESCRIPTION	REF. NO.	PART NO.	DESCRIPTION
185	690939	Nut (Air Cleaner Base)	211	692069	Spring-Governed Idle	276A	807085	Washer-Sealing (Rocker Cover) (Used After Code Date 01120200).
186	693184	Connector-Hose	212	690712	Link-Throttle			----- Note -----
186A	691764	Connector-Hose	215	841232	Guide-Air (Cylinder #1)			691766 Washer-Sealing (Rocker Cover) (Used Before Code Date 01120300).
187A	791745	Line-Fuel (Cut To Required Length)	215C	692805	Guide-Air (Cylinder #2)			
187B	399254	Line-Fuel (Molded)	215D	841317	Guide-Air (Cylinder #1)			
188	692056	Screw (Control Bracket)	215E	841316	Guide-Air (Cylinder #2)			
192	807623	Adjuster-Rocker Arm	215F	841182	Guide-Air (Cylinder #2)	276B	806476	Washer-Sealing (Fuel Solenoid)
203	690923	Crank-Bell ----- Note ----- 808753 Crank-Bell Used on Type No(s). 1163, 1168, 1169.	216	690705	Link-Choke ----- Note ----- 690871 Link-Choke Used on Type No(s). 1169.	276C	806477	Washer-Sealing (Pilot Jet)
206	691244	Nut-Governor Adjusting	222	808454	Bracket-Control	276D	692343	Washer-Sealing (Float Bowl)
208	808453	Rod-Governor Control	226	692075	Rod-Hand Choke	278	842122	Washer (Governor Control Lever)
209	692070	Spring-Governor (Red) ----- Note ----- 692071 Spring-Governor (White) Used on Type No(s). 0034, 0114, 0116, 0120, 0125, 0450, 1034, 1112, 1114, 1120, 1125, 1130, 1131, 1137, 1147, 1149, 1154, 1155, 1156, 1159, 1163, 1167, 1168, 1169, 1170. 691508 Spring-Governor (Blue) Used on Type No(s). 0110, 0123, 1123, 1130, 1138, 1140. 690710 Spring-Governor (Silver) Used on Type No(s). 0113, 1113, 1118, 1142, 1143, 1152, 1166. 692072 Spring-Governor (Purple) Used on Type No(s). 1128, 1132, 1157, 1162, 1164.	227	690236	Lever-Governor Control	280	691526	Bracket-Rod
			231	690728	Screw (Choke Valve) (M3x4mm Long)	287	807084	Screw (Dipstick Tube)
			231A	94457	Screw (Choke Valve) (M2.6x4mm Long)	300B	498984S	Muffler
			232	692073	Spring-Governor Link	300C	692099	Muffler Used on Type No(s). 0125, 1125.
			233	691723	Clip-Control Rod	300D	807953	Muffler
			234	691723	Clip-Control Rod	300E	807969	Muffler
			239	690233	Switch-Oil Pressure	300F	807752	Muffler
			240	394358S	Filter-Fuel	304A	690929	Housing-Blower (Black) ----- Note -----
			240A	691035	Filter-Fuel			690930 Housing-Blower (Red)
			254	807713	Drain-Carburetor Bowl	304D	693038	Housing-Blower Used on Type No(s). 1137, 1154.
			254A	492274	Drain-Carburetor Bowl	305	692056	Screw (Blower Housing) (M8x14mm Long)
			262	692083	Screw (Rod Bracket)	305A	692062	Screw (Blower Housing) (M8x18mm Long)
			265	691024	Clamp-Casing	309	691564	Motor-Starter (Steel Ring Gear Only)
			267	692083	Screw (Casing Clamp)	309A		Motor-Starter (For Replacement Starter Motor, Order Reference 309)
			268	691025	Casing-Control Wire (Cut To Required Length)	309B	499521	Motor-Starter (Aluminum Ring Gear Only)
			269	691026	Wire-Control (Cut To Required Length)	309C		Motor-Starter (For Replacement Starter Motor, Order Reference 309)
			270	691027	Nut (Control Wire Casing)			
			271	691028	Lever-Control			
			273	690681	Seal-O Ring (Oil Pump)			

Engine Gasket Set-Reference 358A
Carburetor Overhaul Kit-Reference 121A or 121B

Carburetor Gasket Set-Reference 977 or 977A
Valve Gasket Set-Reference 1095A

350700

REF. NO.	PART NO.	DESCRIPTION	REF. NO.	PART NO.	DESCRIPTION	REF. NO.	PART NO.	DESCRIPTION
309E	808726	Motor-Starter Used on Type No(s). 1137, 1154.	359	691077	Washer (Ground Terminal)	439	692154	Seal-O Ring (Crankcase Cover/Sump)
310	496880	Screw (Starter Motor) (1/4-20x4.2" Long)	363	19203	Puller-Flywheel			(Used After Code Date 97043000).
310A	690323	Screw (Starter Motor) (#10-24x4.4" Long)	373A	691612	Nut (Ground Terminal)			----- Note -----
310B	691263	Screw (Starter Motor) (#10-24x4.8" Long)	377	808095	Key-Woodruff			805198 Seal-O Ring (Crankcase Cover/Sump)
310C	692329	Screw (Starter Motor) (#10-24x5.4" Long)	383	19374S	Wrench-Spark Plug			(Used Before Code Date 97050100).
311	496887	Brush Set	385	807084	Screw (Fuel Pump)	445	394018S	Filter-Air Cleaner Cartridge
311A	497608	Brush Set	387	808656	Pump-Fuel	445A	805113	Filter-Air Cleaner Cartridge
318	841233	Screw (Mounting Bracket)	388	820799	Lever-Pinion Drive	447	841233	Screw (Air Guide Cover)
332	690887	Nut (Flywheel)	400	808657	Cooler-Oil Used on Type No(s). 1137, 1154.	448	806423	Bracket-Oil Cooler Used on Type No(s). 1137, 1154.
332A	805744	Nut (Flywheel)	402	690679	Screw (Oil Filter Cover)	454	693289	Cap-Breather Used on Type No(s). 1163, 1168, 1169.
333	492341	Armature-Magneto	403A	690288	Washer (End Cap)	455B	807881	Cup-Flywheel
334	692066	Screw (Magneto Armature)	404	690704	Washer (Governor Crank)	455C	690864	Cup-Flywheel
337	491055S	Plug-Spark ----- Note ----- 792015 Plug-Spark Used on Type No(s). 0450, 1034, 1046, 1102, 1118, 1120, 1137, 1138, 1140, 1149, 1150, 1155, 1156, 1157, 1158, 1162, 1163, 1164, 1165, 1167, 1168, 1169, 1170, 1171.	413	693587	Nut (Starter Motor)	456	691529	Plate-Pawl Friction
346	690661	Screw (Spark Arrestor)	415	690283	Plug (Oil Cooler)	456A	224228	Plate-Pawl Friction
349	690238	Nut (Cylinder Head Cover)	417	810074	Screw (Manifold-Exhaust Cylinder #1) (Side Outlet) (Used With Customer Supplied Muffler) Used on Type No(s). 1149, 1155, 1157, 1158, 1163, 1164, 1167, 1168, 1169, 1171.	459	808166	Pawl-Ratchet
355	842122	Washer (Muffler Bracket)	432	691509	Cap-Spring	459A	492431	Pawl-Ratchet
356A	807063	Wire-Stop Used on Type No(s). 1166.	436B	691502	Manifold-Exhaust (Cylinder #2) (Side Outlet) (Used With Customer Supplied Muffler) Used on Type No(s). 0114, 0116, 0123, 1114, 1123, 1138.	460	806667	Connector-Filter Adapter Used on Type No(s). 1137, 1154.
357	691483	Key-Drive Pulley	436C	691501	Manifold-Exhaust (Wide Area Walker)	466	806466	Seal-O Ring (Breather Assembly) Used on Type No(s). 1163, 1168, 1169.
358A	841188	Gasket Set-Engine (Used After Code Date 01120200). ----- Note ----- 808389 Gasket Set- Engine (Used Before Code Date 01120300).	437A	691902	Screw (Exhaust Manifold) (M8x20mm Long)	467	691985	Knob-Air Cleaner
			437B	692062	Screw (Exhaust Manifold) (M8x18mm Long)	467A	690895	Knob-Air Cleaner
						474A	696578	Alternator (DC Only)
						474C	696457	Alternator (Tri Circuit)
						474D	696458	Alternator (10 Amp)
						493	691503	Bracket-Mounting
						501	691185	Regulator ----- Note ----- 808877 Regulator Used on Type No(s). 1154, 1159.

Engine Gasket Set-Reference 358A
Carburetor Overhaul Kit-Reference 121A or 121B

Carburetor Gasket Set-Reference 977 or 977A
Valve Gasket Set-Reference 1095A

REF. NO.	PART NO.	DESCRIPTION	REF. NO.	PART NO.	DESCRIPTION	REF. NO.	PART NO.	DESCRIPTION	
501A	691188	Regulator	600	841016	Spacer–Air Cleaner Used on Type No(s). 1163, 1168.	668B	690737	Spacer	
503	691532	Strap–Starter				676	393761	Deflector–Muffler (Side Out)	
505	690238	Nut (Governor Control Lever)	601	691038	Clamp–Hose (Black)	676B	396903	Deflector–Muffler (Direct Out)	
506	690677	Screw (Carburetor Cover)			----- Note -----	677	690661	Screw (Muffler Deflector)	
507	691972	Insulator			791850	Clamp–Hose (Green)	683	710081	Nut (Starter Solenoid)
510	496881	Drive–Starter			691638	Clamp–Hose (Vent Tube)	689	691272	Spring–Friction
510A	696541	Drive–Starter					689A	262564	Spring–Friction
510B	696540	Drive–Starter			691522	Clamp–Hose (Black)	691	690680	Seal–Governor Shaft
513	692024	Clutch–Drive			841859	Clamp–Hose (Silver)	697	692062	Screw (Drive Cap)
515	691528	Spring–Pawl			841597	Clamp–Hose (Oil Hose)	710	807689	Cover–Oil Filter
520	691084	Terminal–Ground					711	690699	Screw (Carburetor Shield)
523	692101	Dipstick	601A	691145	Clamp–Hose (Silver)	711A	807084	Screw (Carburetor Shield)	
525	692093	Tube–Dipstick					711B	841233	Screw (Carburetor Shield)
526	692067	Screw (Regulator)					717	692542	Bracket–Air Cleaner
526A	690717	Screw (Regulator)					717A	690896	Bracket–Air Cleaner
527	690423	Clamp–Tube					717B	692153	Bracket–Air Cleaner Used on Type No(s). 1163, 1168.
529	690744	Grommet	608	692102	Starter–Rewind	718	806469	Pin–Locating	
529A	805783	Grommet (Breather Extension)	608B	494926	Starter–Rewind	725	806102	Shield–Heat	
544A	693548	Armature–Starter	613	690297	Screw (Muffler)	726		Gear–Ring (Steel) (See Reference 23 for Service)	
544B		Armature–Starter (Serviced By 499521 Starter Motor Only)	614	691550	Pin–Cotter				
544C	490309	Armature–Starter	616	806685	Crank–Governor				
552	690701	Bushing–Governor Crank	616A	690899	Crank–Governor (Used Before Code Date 99072100).				
552A	806686	Bushing–Governor Crank	628A	806660	Screw (Fuel Pump Bracket)	727	841313	Cover–Starter Drive (Black)	
562	690239	Bolt (Governor Control Lever)	633	690738	Seal–Choke/Throttle Shaft	728	690297	Screw (Heat Shield)	
563	841233	Screw (Debris Screen Guard)	633A	808022	Seal–Choke/Throttle Shaft	729	805827	Clip–Wire	
565	690682	Stud (Oil Filter Adapter)	635	692076	Boot–Spark Plug	729B	690586	Clip–Wire	
572	690686	Baffle–Breather	637	690735	Washer (Throttle Shaft)	732	690688	Screw (Starter Drive Cover)	
573	841310	Plate–Back ----- Note ----- 693045 Plate–Back Used on Type No(s). 1137, 1154.	1422	690706	Washer (Air Guide) (Spring Lock)	732A	841233	Screw (Starter Drive Cover)	
578	692306	Wire Assembly	1422A	691551	Washer (Air Guide) (Internal Tooth Lockwasher) (Used Before Code Date 03110100).	737	690679	Screw (Oil Filter Adapter)	
578A	692319	Wire Assembly (With Diodes)				739	690451	Clip–Debris	
596	691492	Screw (Oil Pump)				741	691530	Gear–Timing	
597	690876	Screw (Pawl Friction Plate)	643	692079	Retainer–Air Filter	742	805578	Retainer–E Ring	
597A	94463	Screw (Pawl Friction Plate)	654	690939	Nut (Carburetor)	748	692083	Screw (Control Rod Clip)	
			668A	691500	Spacer (Rotating Screen)	773	690875	Retainer (Pawl Friction Plate)	
						783	695708	Gear–Pinion (Services Aluminum Ring Gear Only)	

Engine Gasket Set–Reference 358A
Carburetor Overhaul Kit–Reference 121A or 121B

Carburetor Gasket Set–Reference 977 or 977A
Valve Gasket Set–Reference 1095A

350700

REF. NO.	PART NO.	DESCRIPTION	REF. NO.	PART NO.	DESCRIPTION	REF. NO.	PART NO.	DESCRIPTION
788	691559	Bracket-Fuel Pump	832	692361	Guard-Muffler	947C	494312	Solenoid-Fuel
789	698332	Harness-Wiring Used on Type No(s). 1166.			Used on Type No(s). 1149, 1155, 1157, 1158, 1164, 1165.	949	808030	Guard-Debris Screen
797	693167	Nut (Brush Retainer)	836	691982	Screw (Muffler Guard)	955	691511	Plug-Carburetor
797A	691029	Nut (Brush Retainer)	842	691870	Seal-O Ring (Dipstick Tube)	955A	807914	Plug-Carburetor
801	808778	Cap-Drive	851	493880S	Terminal-Spark Plug	961	690872	Screw (Air Cleaner Bracket)
801B	691283	Cap-Drive	863	691513	Bracket-Muffler	961A	841233	Screw (Air Cleaner Bracket)
802	496813	Cap-End	863B	806759	Bracket-Muffler	967	272490S	Filter-Pre Cleaner
802A	691286	Cap-End	865	841312	Cover-Air Guide	967A	805267S	Filter-Pre Cleaner Used on Type No(s). 0119.
803	690854	Housing-Starter	865A	841319	Cover-Air Guide	968	699959	Cover-Air Cleaner (Used With Metal Air Cleaner Base)
803A	693547	Housing-Starter	868	691963	Seal-Valve	968A	690694	Cover-Air Cleaner (Used With Plastic Air Cleaner Base)
803B		Housing-Starter (Serviced By 499521 Starter Motor Only)	871	692057	Bushing-Valve Guide	971C	691492	Screw (Air Cleaner Base to Carburetor)
803C	494205	Housing-Starter (4-3/8" Housing Length) ----- Note ----- 398892 Housing- Starter (4 9/16" Housing Length)	875	690894	Base-Air Cleaner	975	807715	Bowl-Float
807	690733	Spacer-Throttle	876	696539	Kit-Pinion Spring	975A	807913	Bowl-Float
812	692055	Nut (Rocker Cover) (Used Before Code Date 01120300).	877A	393814	Wire/Connector- Alternator (DC Only)	977	808325	Gasket Set-Carburetor (Used After Code Date 95093000).
816	690706	Washer (Oil Filter Adapter)	877B	393537	Wire/Connector- Alternator (Tri Circuit)	977A	807916	Gasket Set-Carburetor (Used Before Code Date 95100100).
819A	692067	Screw (Muffler Bracket) (M6x20mm Long) ----- Note ----- 690297 Screw (Muffler Bracket) (1/4-20x5/8" Long) Used on Type No(s). 1149, 1155, 1157, 1158, 1163, 1164, 1167, 1168, 1169, 1171.	877C	399916	Wire/Connector- Alternator	987	691548	Seal-Throttle Shaft
819C	692537	Screw (Muffler Bracket) (M6x16mm Long)	878A	691955	Harness-Alternator	988	692063	Gasket-Oil Adapter
819D	692056	Screw (Muffler Bracket) (M8x14mm Long)	879	841860	Cover-Carburetor	988A	690687	Gasket-Oil Adapter
829	841999	Hose-Oil	882	692074	Flange-Exhaust	990	691959	Key Set
830	809157	Stud-Rocker Arm (Used After Code Date 01120200).	883A	691613	Gasket-Exhaust	994	392390	Arrestor-Spark
830A	691497	Stud-Rocker Arm (Used Before Code Date 96040100).	884	690898	Clamp-Muffler Used on Type No(s). 0125, 1125. ----- Note ----- 691956 Clamp-Muffler Used on Type No(s). 1149, 1155, 1157, 1163, 1167, 1168, 1169.	996	691577	Shield-Carburetor
			892	692318	Switch-Key	996A	690696	Shield-Carburetor
			893	710068	Nut (Starter Solenoid)	1004	690743	Duct-Air (Used With Metal Air Cleaner Base)
			896	691641	Pin-Drive Retainer	1004A	692538	Duct-Air (Used With Plastic Air Cleaner Base)
			918	393815	Hose-Vacuum (Cut To Required Length)	1005	809441	Fan-Flywheel (Used After Code Date 00121200).
			920	691656	Solenoid-Starter			----- Note ----- 690911 Fan-Flywheel (Used Before Code Date 00121300).
			920A	825418	Solenoid-Starter	1006	690452	Retainer-Fan
			934	691058	Screw (Fan Retainer)	1009	806474	Screw (Starter Motor)
			947	806472	Solenoid-Fuel (Used After Code Date 98093000).			
			947A	690924	Solenoid-Fuel (Used Before Code Date 98100100).			

Engine Gasket Set-Reference 358A
Carburetor Overhaul Kit-Reference 121A or 121B

Carburetor Gasket Set-Reference 977 or 977A
Valve Gasket Set-Reference 1095A

350700

REF. NO.	PART NO.	DESCRIPTION	REF. NO.	PART NO.	DESCRIPTION	REF. NO.	PART NO.	DESCRIPTION
1011	692929	Tube-Vent (Cut To Required Length)	1037	807717	Ball-Choke Locator	1122	93410	Screw (Blower Housing Adapter)
1017	690878	Screen-Oil Pump	1037A	807915	Ball-Choke Locator	1130	690746	Stud (Intake Manifold)
1022	806039S	Gasket-Rocker Cover	1044	805756	Screw (Flywheel)	1134	94464	Washer (Pawl Friction Plate) (Steel)
1023	808648	Cover-Rocker (Cylinder #2) Used on Type No(s). 1163, 1168, 1169.	1046	692082	Plug-Blower Housing Used on Type No(s). 1163, 1168.	1134A	94462	Washer (Pawl Friction Plate) (Nylon)
1023A	691558	Cover-Rocker (Cylinder #1) (With Fuel Pump)	1051	690736	Ring-Retaining (Throttle Shaft)	1135	806497	Washer (Crankcase Cover/Sump)
1023B	691494	Cover-Rocker	1051A	691124	Ring-Retaining (Starter Drive)	1155	806647	Washer (Oil Cooler) Used on Type No(s). 1137, 1154.
1023C	690758	Cover-Rocker Used on Type No(s). 0119.	1051B	691265	Ring-Retaining (Starter Drive)	1254	807084	Screw (Rocker Cover Stud) (Used After Code Date 01120200).
1024	693186	Pump-Oil	1054	280275	Tie-Cable	1319	794467	Label-Warning
1025	690689	Spool-Governor	1058	277107	Operator's Manual	1330	272144	Repair Manual
1026	691836	Rod-Push (Intake)(Steel) ----- Note ----- 691758 Rod-Push (Exhaust)(Aluminum)	1059	698516	Kit-Screw/Washer (Alternator)	1334	692067	Screw (Air Guide)
1027	842921	Filter-Oil	1083	691626	Nut (End Cap)	1422	690706	Washer (Air Guide)
1028	808235	Adapter-Oil Filter	1083A	690958	Nut (End Cap)	1422A	691551	Washer (Air Guide)
1028A	808537	Adapter-Oil Filter Used on Type No(s). 1137, 1154.	1090	691293	Retainer-Brush	1426	690238	Nut (Air Guide)
1029	807323	Arm-Rocker	1091	691515	Cap-Limiter			
1030	691496	Support-Rocker Arm	1091A	806054	Cap-Limiter			
1031	690693	Shaft-Rocker Arm	1095A	808391	Gasket Set-Valve			
1036		Label-Emissions (Available from a Briggs & Stratton Authorized Dealer)	1100	791959	Pivot-Rocker Arm			
			1119	691552	Screw (Alternator)			
			1121	810056	Nut (Fuel Pump Bracket)			

Engine Gasket Set-Reference 358A
Carburetor Overhaul Kit-Reference 121A or 121B

Carburetor Gasket Set-Reference 977 or 977A
Valve Gasket Set-Reference 1095A