



Illustrated Parts List

Model Series

31C700

TYPE NUMBERS
0154 THROUGH 0603.

TABLE OF CONTENTS

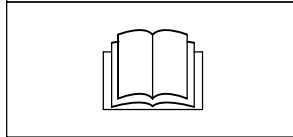
Air Cleaner	5
Alternator	7
Blower Housing	5
Camshaft	2
Carburetor	4
Controls	7
Crankshaft	2
Cylinder	2
Cylinder Head	3
Electric Starter	7
Engine Sump	2
Exhaust System	5
Flywheel	6
Fuel Supply	4
Gasket Set - Engine	2
Gasket Set - Valve	3
Governor Spring	7
Ignition	7
Kit - Carburetor Overhaul	4
Lubrication	3
Operator's Manual	2
Piston, Rings, Connecting Rod	2
Rewind Starter	6
Valves	3
Warning Label	2

PRINTED IN U.S.A.



COPYRIGHT by BRIGGS & STRATTON CORPORATION
All rights reserved. No part of this material may be reproduced or transmitted, in any form or by any means, electronic or mechanical, including photocopying, recording or by any information storage and retrieval system, without permission in writing from Briggs & Stratton Corporation.

1058 OPERATOR'S MANUAL

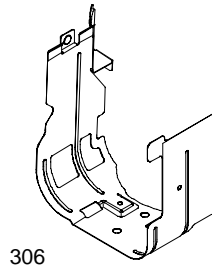
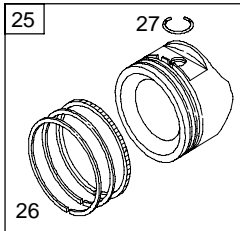
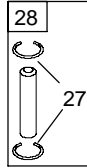
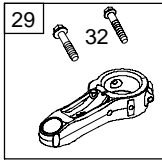


1319 WARNING LABEL

WARNING

- Read and follow Operating Instructions before running engine.
- Gasoline is flammable. Allow engine to cool at least 2 minutes before refueling.
- Engines emit carbon monoxide, **DO NOT** run in enclosed area.
- Muffler area temperature may exceed 150°F. Do not touch hot parts.

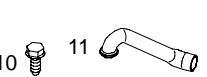
REQUIRED when replacing parts with warning labels affixed.



306



307



850



9

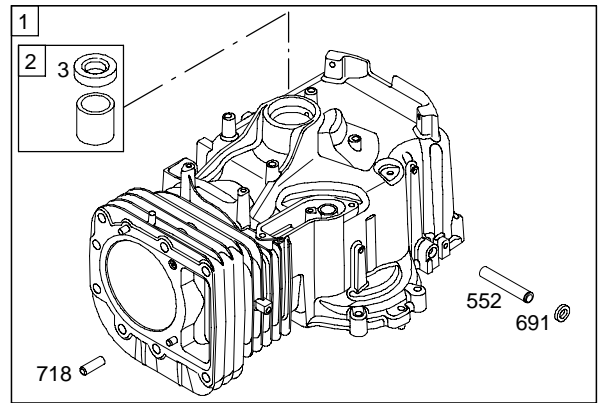
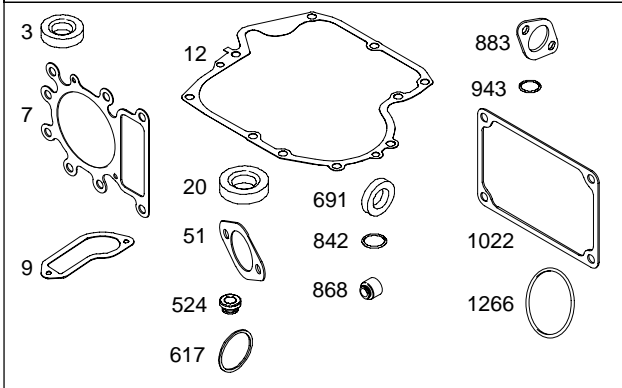


1264

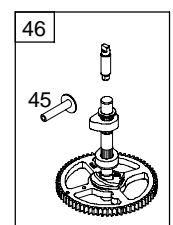
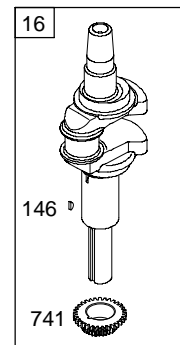
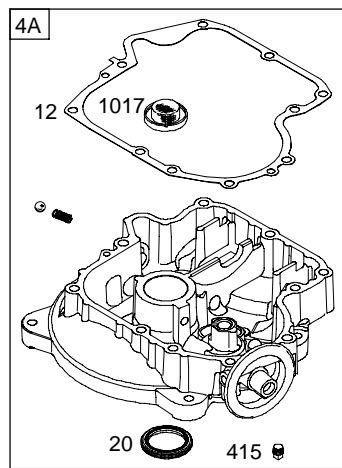
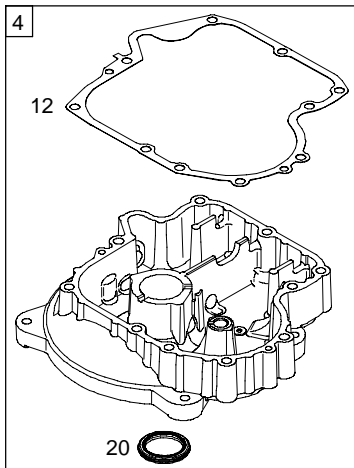


1263

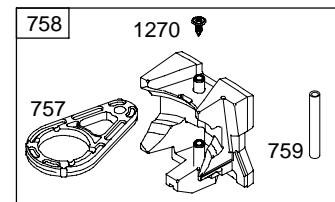
358 ENGINE GASKET SET



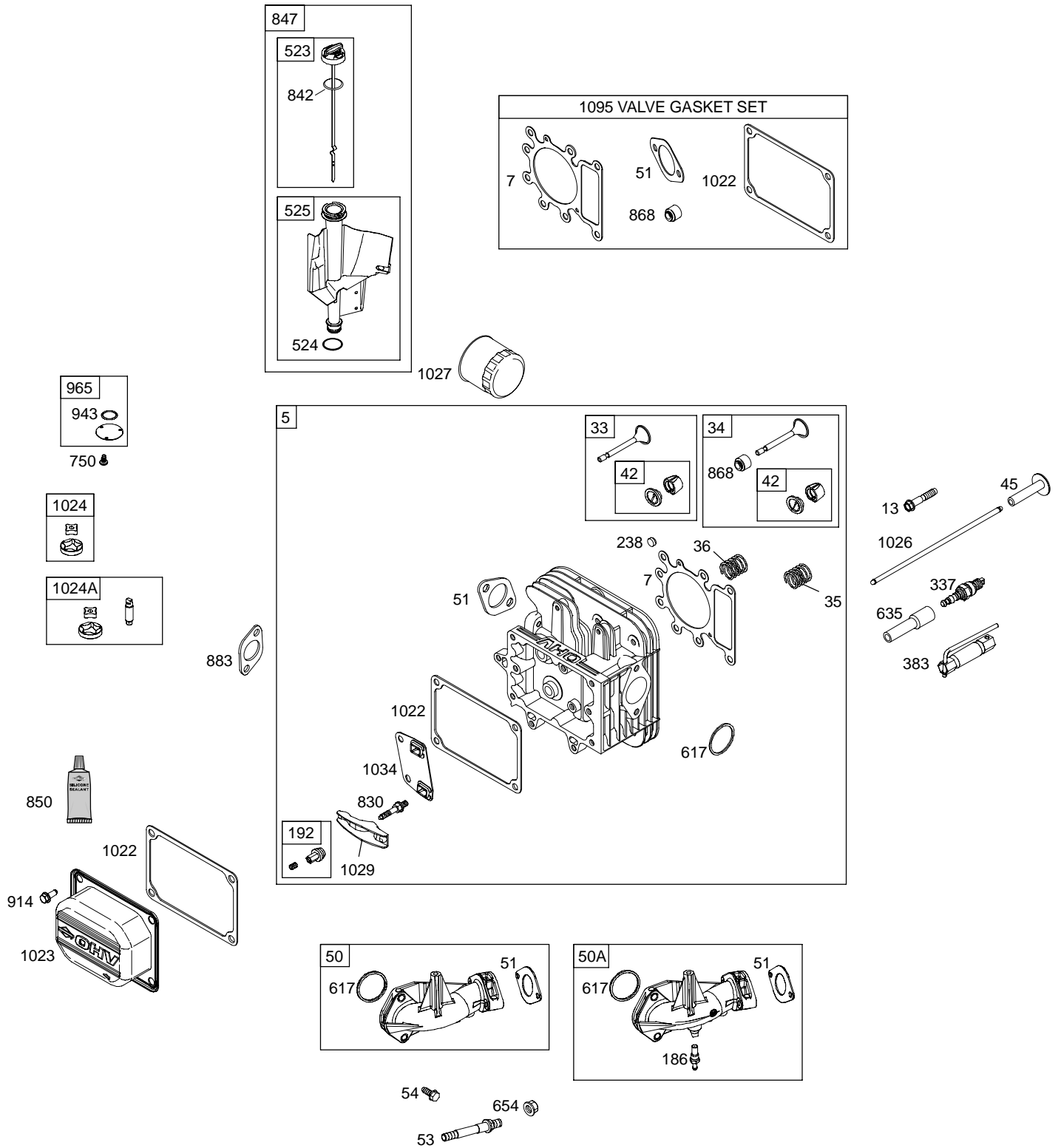
718



239

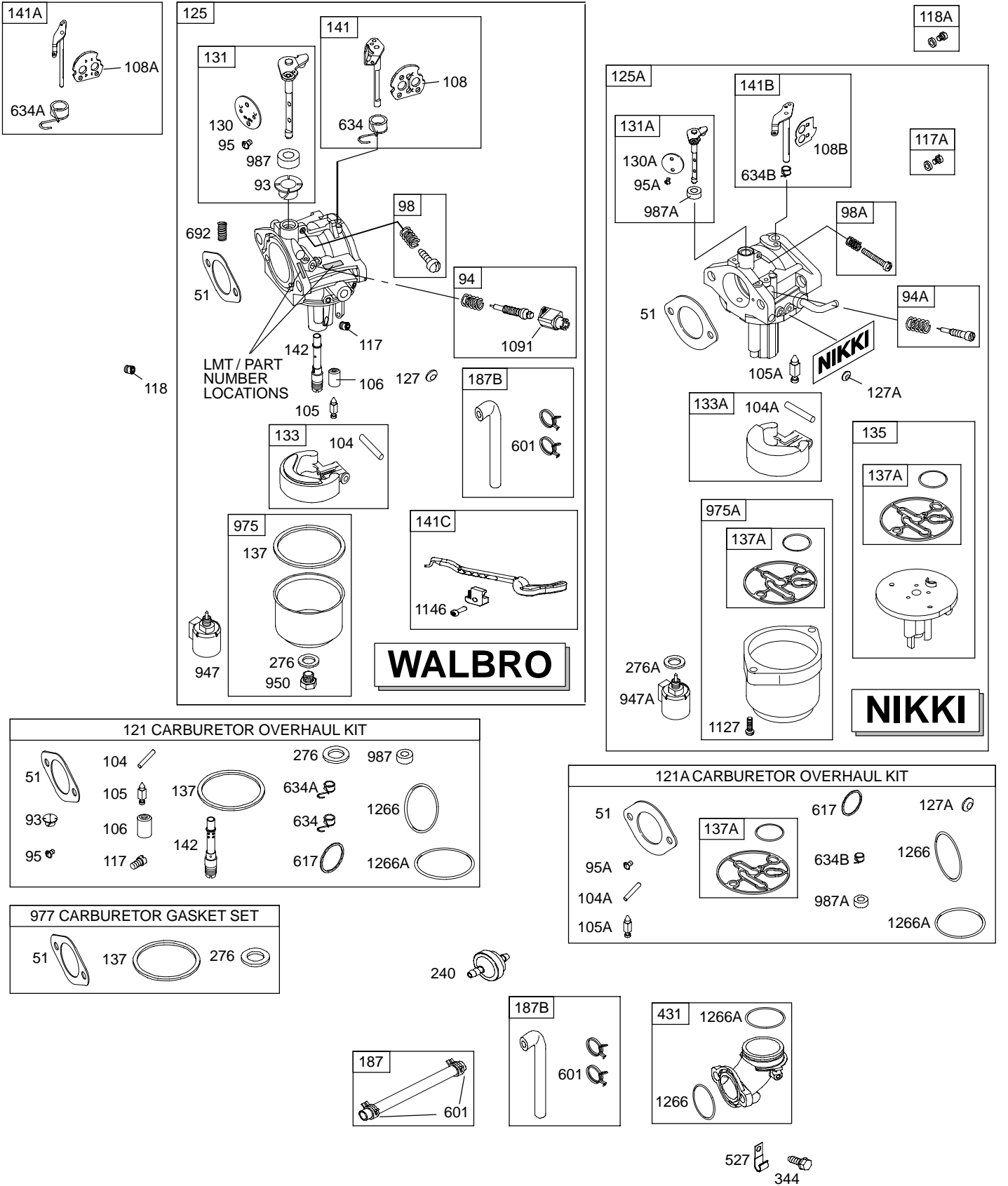


Illustrations cover a range of engines. Parts shown without corresponding text may not be used on your specific engine.

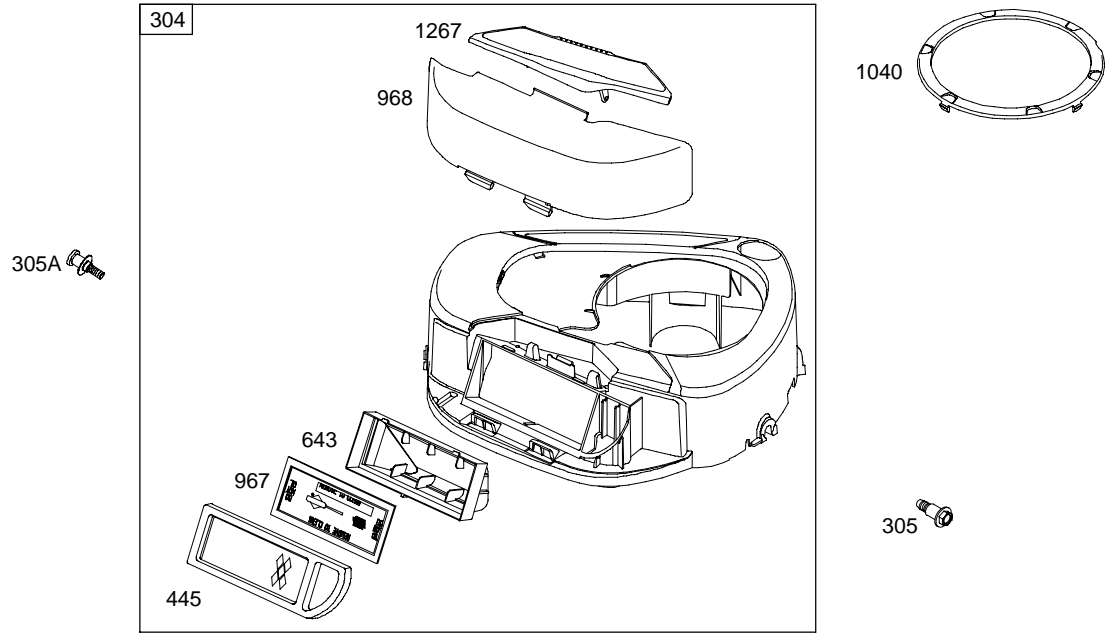


Illustrations cover a range of engines. Parts shown without corresponding text may not be used on your specific engine.

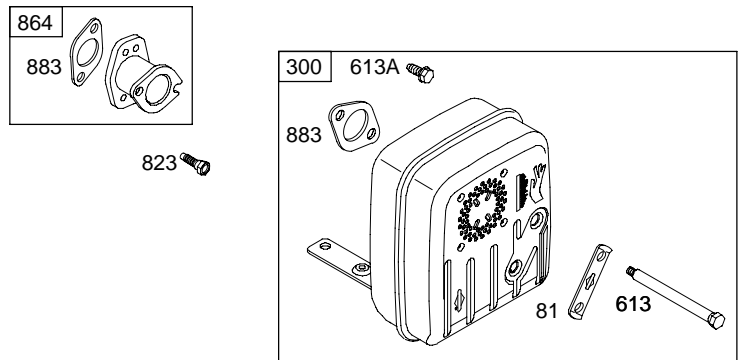
31C700



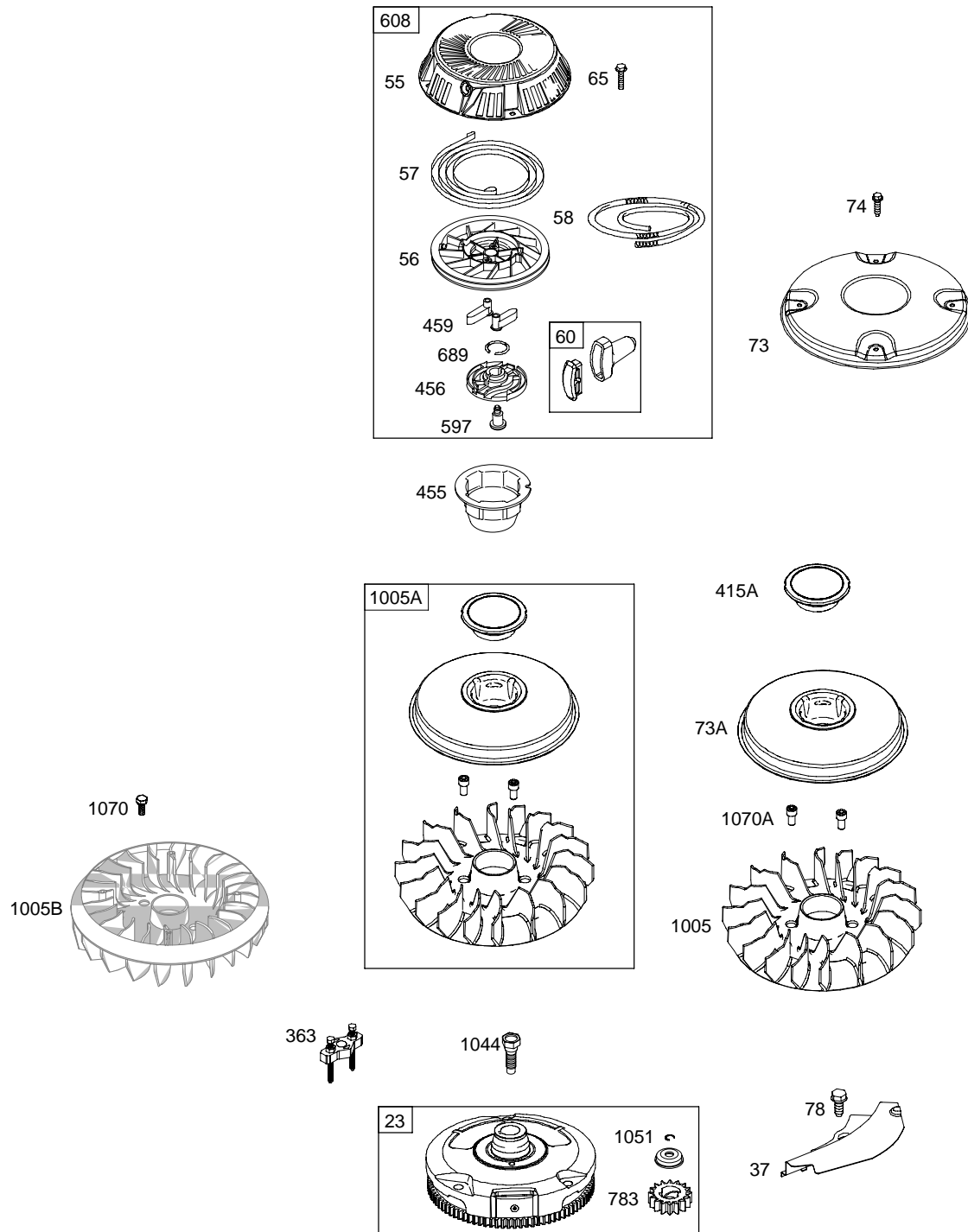
Illustrations cover a range of engines. Parts shown without corresponding text may not be used on your specific engine.





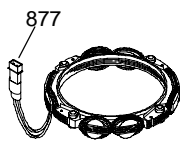


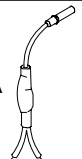
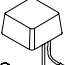

1036 EMISSIONS LABEL




Illustrations cover a range of engines. Parts shown without corresponding text may not be used on your specific engine.
 5535-5 Assemblies include all parts shown in frames.

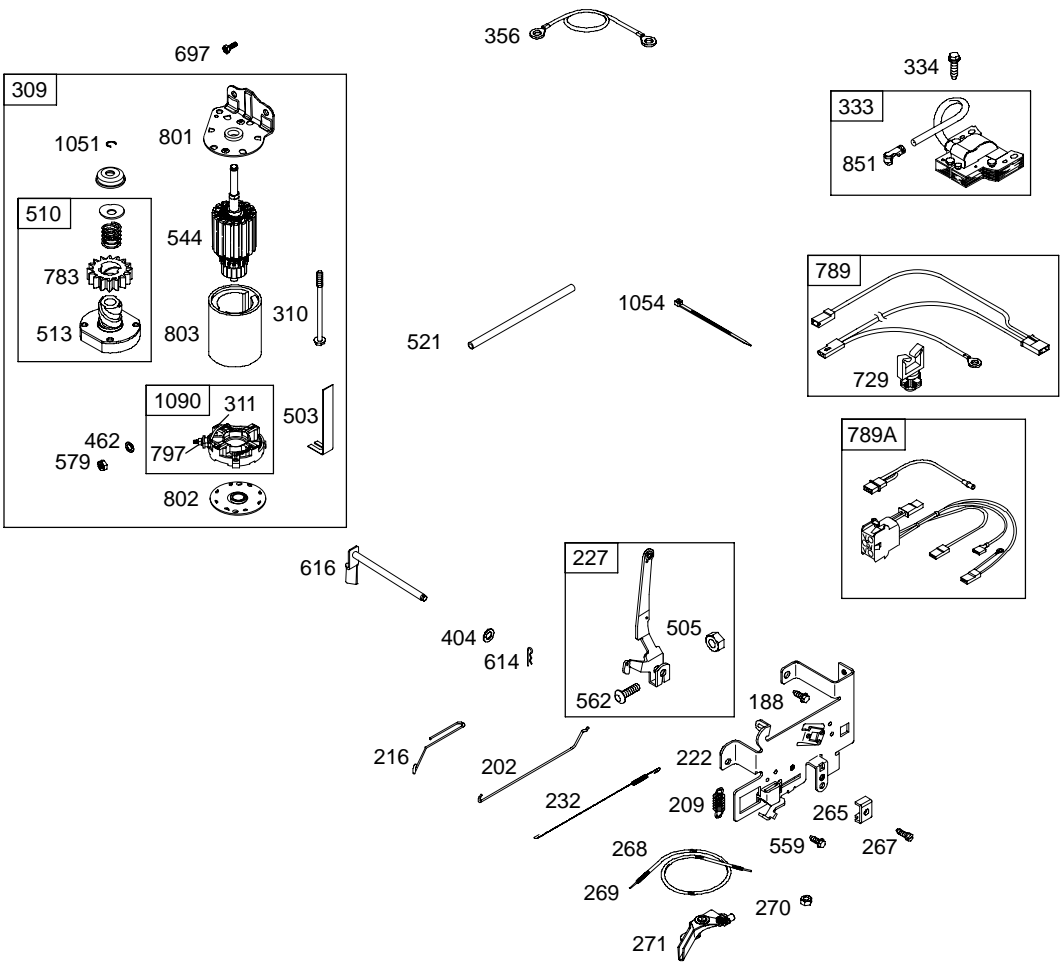


Illustrations cover a range of engines. Parts shown without corresponding text may not be used on your specific engine.

DUAL CIRCUIT		TRI CIRCUIT	
474A	1059 	474B	1059 
			
878 		878A 	5/9 AMP REGULATED 501A  526A 

NOTE: All stators use a No. 1119 mounting screw. 

NOTE: The proper flywheel part number and/or the alternator magnet size will determine the alternator type or output. See repair instruction manual for additional information.



Illustrations cover a range of engines. Parts shown without corresponding text may not be used on your specific engine.
5535-7 Assemblies include all parts shown in frames. **11/13/2007**

31C700

REF. NO.	PART NO.	DESCRIPTION	REF. NO.	PART NO.	DESCRIPTION	REF. NO.	PART NO.	DESCRIPTION
1	793987	Cylinder Assembly	22	692125	Screw (Crankcase Cover/Sump)	37	697352	Guard-Flywheel
2	399265	Kit-Bushing/Seal (Magneto Side)	23	693557	Flywheel Used on Type No(s). 0154, 0155, 0156, 0173, 0175, 0226, 0230, 0240, 0571, 0603. --- Note ----- 693556 Flywheel Used on Type No(s). 0005, 0026, 0431.	42	499586	Keeper-Valve
3	*391086S	Seal-Oil (Magneto Side)	24	222698S	Key-Flywheel	43	691968	Slinger-Governor/Oil
4	697106	Sump-Engine Used on Type No(s). 0005, 0026, 0154, 0175, 0230, 0240, 0431, 0571, 0603.	25	792507	Piston Assembly (Standard) --- Note ----- 792648 Piston Assembly (.020" Oversize)	45	690564	Tappet-Valve
4A	697188	Sump-Engine Used on Type No(s). 0155, 0156, 0173, 0226.	26	791936	Ring Set (Standard) --- Note ----- 792649 Ring Set (.030" Oversize)	46	793880	Camshaft
5	793989	Head-Cylinder	27	698469	Lock-Piston Pin	50	690193	Manifold-Intake
7	*Δ699168	Gasket-Cylinder Head	28	697099	Pin-Piston (Standard)	50A	699029	Manifold-Intake Used on Type No(s). 0005, 0026.
9	*697109	Gasket-Breather (Used Before Code Date 07071900). (After Date Code Use Liquid Sealant Reference 850)	29	791631	Rod-Connecting (Standard)	51*Δ●●692137		Gasket-Intake
10	697157	Screw (Breather Assembly)	32	791118	Screw (Connecting Rod)	53	690227	Stud (Carburetor)
11	794683	Tube-Breather (Used After Code Date 07071800). --- Note ----- 697113 Tube-Breather (Used Before Code Date 07071900).	33	791934	Valve-Exhaust (Used After Code Date 06011900). --- Note ----- 695760 Valve-Exhaust (Used Before Code Date 06012000).	54	691148	Screw (Intake Manifold)
12	*697110	Gasket-Crankcase (.015" Thick) (Standard)	34	791935	Valve-Intake (Used After Code Date 06011900). --- Note ----- 695761 Valve-Intake (Used Before Code Date 06012000).	55	695130	Housing-Rewind Starter
13	793988	Screw (Cylinder Head) (Used After Code Date 07040800). --- Note ----- 690360 Screw (Cylinder Head) (Used Before Code Date 07040900).	35	691279	Spring-Valve (Intake)	56	695129	Pulley-Starter
15	690946	Plug-Oil Drain (Square Head)	36	691279	Spring-Valve (Exhaust)	57	695131	Spring-Rewind Starter
16	697127	Crankshaft			58	695132	Rope-Starter	
20	*791892	Seal-Oil (PTO Side)			60	494212	Grip-Starter Rope	
					65	690759	Screw (Rewind Starter) Used on Type No(s). 0005.	
					73	697133	Screen-Rotating (Used Before Code Date 07040900).	
					73A	794437	Screen-Rotating (Used After Code Date 07040800).	
					74	697897	Screw (Rotating Screen) (Used Before Code Date 07040900)	
					78	691003	Screw (Flywheel Guard)	
					81	691178	Lock-Muffler Screw Used on Type No(s). 0005, 0026.	
					93	●690602	Bushing-Throttle Shaft	
					94	498030	Kit-Idle Mixture	
					94A	695425	Kit-Idle Mixture	
					95	●691636	Screw (Throttle Valve)	
					95A	●690718	Screw (Throttle Valve)	
					98	495800	Kit-Idle Speed	
					98A	695408	Kit-Idle Speed	
					104	●690525	Pin-Float Hinge	
					104A	●694918	Pin-Float Hinge	

* Included in Engine Gasket Set-Ref. No. 358.

● Included in Carburetor Overhaul Kit-Ref. No. 121 or 121A.

◆ Included in Carburetor Gasket Set-Ref. No. 977.

Δ Included in Valve Gasket Set-Ref. No. 1095.

Illustrations cover a range of engines. Parts shown without corresponding text may not be used on your specific engine.

31C700

REF. NO.	PART NO.	DESCRIPTION	REF. NO.	PART NO.	DESCRIPTION	REF. NO.	PART NO.	DESCRIPTION
105	●231855S	Valve-Float Needle	133A	694914	Float-Carburetor	268	691025	Casing-Control Wire (Cut To Required Length)
105A	●696136	Valve-Float Needle	135	698780	Tube-Fuel Transfer			
106	●690577	Seat-Inlet (Gravity Feed)	137	●281165S	Gasket-Float Bowl	269	691026	Wire-Control (Cut To Required Length)
108	690464	Valve-Choke (697204)	137A	●698781	Gasket-Float Bowl			
108A	692344	Valve-Choke (696181, 697203)	141	790905	Kit-Choke Shaft (697204)	270	691027	Nut (Control Wire Casing)
108B	695419	Valve-Choke	141A	495931	Kit-Choke Shaft (696181, 697203)	271	691028	Lever-Control
117	●694352	Jet-Main (Standard)	141B	698778	Kit-Choke Shaft	276	●692255	Washer-Sealing
117A	699732	Jet-Main (Standard) (Used After Code Date 06060300).	141C	793386	Kit-Choke Shaft (Manual Choke)	276A	695410	Washer-Sealing
		--- Note ---	142	●697140	Nozzle-Carburetor (Standard)	300A	697349	Muffler (Used on Type No(s). 0005, 0026.
		699457 Jet-Main (Standard) (Used Before Code Date 06060400).	146	691639	Key-Timing	304	698599	Housing-Blower (Black)
118	697228	Jet-Main (High Altitude)	186	794873	Connector-Hose (Used on Type No(s). 0005, 0026.			--- Note ---
118A	843099	Jet-Main (High Altitude) (Used After Code Date 06060300).	187	791766	Line-Fuel (15" Long) (Cut To Required Length)			698402 Housing-Blower (Red)
		--- Note ---	187B	791805	Line-Fuel (Formed) (10-1/4" Long) (Cut To Required Length)	305	697102	Screw (Blower Housing)
		699458 Jet-Main (High Altitude) (Used Before Code Date 06060400).	188	691693	Screw (Control Bracket)	305A	697103	Screw (Blower Housing)
121	697241	Kit-Carburetor Overhaul (Walbro)	192	691986	Adjuster-Rocker Arm	306	697107	Shield-Cylinder
121A	699521	Kit-Carburetor Overhaul (Nikki Carburetor)	202	691841	Link-Mechanical Governor	307	691003	Screw (Cylinder Shield)
125	793224	Carburetor (Walbro)	209	692208	Spring-Governor (Green)	309	693551	Motor-Starter
125A	792358	Carburetor (Nikki)			--- Note ---	310	690323	Screw (Starter Motor)
127	695005	Plug-Welch	216	691840	Link-Choke	311	497608	Brush Set
127A	●690727	Plug-Welch	222	694042	Bracket-Control	333	795315	Armature-Magneto
130	691750	Valve-Throttle	227	691374	Lever-Governor Control	334	691061	Screw (Magneto Armature)
130A	699500	Valve-Throttle	232	691842	Spring-Governor Link	337	491055s	Plug-Spark
131	494379	Kit-Throttle Shaft	238	691843	Cap-Valve			--- Note ---
131A	699501	Kit-Throttle Shaft	239	694115	Switch-Oil Pressure			691043 Plug-Spark (Used on Type No(s). 0240.
133	494381	Float-Carburetor	240	394358s	Filter-Fuel (White, 75 Microns)			792015 Plug-Spark (Used on Type No(s). 0571.
			265	691024	Clamp-Casing	344	693675	Screw (Cable Clamp)
			267	794904	Screw (Casing Clamp)	356	697089	Wire-Stop
						358	794150	Gasket Set-Engine
						363	19203	Puller-Flywheel
						383	89838s	Wrench-Spark Plug
						404	691691	Washer (Governor Crank)

★ Included in Engine Gasket Set-Ref. No. 358.

● Included in Carburetor Overhaul Kit-Ref. No. 121 or 121A.

◆ Included in Carburetor Gasket Set-Ref. No. 977.

△ Included in Valve Gasket Set-Ref. No. 1095.

Illustrations cover a range of engines. Parts shown without corresponding text may not be used on your specific engine.

5535-9

Assemblies include all parts shown in frames.

11/13/2007

31C700

REF. NO.	PART NO.	DESCRIPTION	REF. NO.	PART NO.	DESCRIPTION	REF. NO.	PART NO.	DESCRIPTION
415	690283	Plug (Crankcase Cover/Sump)	562	691119	Bolt (Governor Control Lever)	757	697607	Link-Counterweight
415A	794129	Plug (Cover/Retainer) (Used After Code Date 07040800).	579	691029	Nut (Starter Cable)	758	793763	Counterweight
431	697122	Elbow-Intake	584	794682	Cover-Breather Passage (Used After Code Date 07071800).	759	697392	Pin-Counterweight
445	698083	Filter-Air Cleaner Cartridge (Non Washable)				783	693713	Gear-Pinion
455	695113	Cup-Flywheel Used on Type No(s). 0005.				789	692037	Harness-Wiring Used on Type No(s). 0005, 0026.
456	695128	Plate-Pawl Friction				789A	698329	Harness-Wiring
459	281505S	Pawl-Ratchet				797	693167	Nut (Brush Retainer)
462	691261	Washer (Starter Cable)	597	691696	Screw (Pawl Friction Plate)	801	691283	Cap-Drive
474A	696459	Alternator (Dual Circuit) Used on Type No(s). 0154, 0155, 0156, 0173, 0175, 0226, 0230, 0240, 0571, 0603.	601	791850	Clamp-Hose	802	691286	Cap-End
474B	696457	Alternator (Tri Circuit) Used on Type No(s). 0005, 0026, 0431.	608	695058	Starter-Rewind Used on Type No(s). 0005.	803		Housing-Starter (Not Serviced Separately, Order Starter Motor 693551)
501A	691188	Regulator Used on Type No(s). 0005, 0026, 0431.	613	691416	Screw (Muffler) Used on Type No(s). 0005, 0026.	823	698941	Screw (Muffler Adapter) Used on Type No(s). 0005, 0026.
503	691532	Strap-Starter	613A	690297	Screw (Muffler) Used on Type No(s). 0005, 0026.	830	691095	Stud-Rocker Arm
505	691251	Nut (Governor Control Lever)	614	691620	Pin-Cotter	842	★691031	Seal-O Ring (Dipstick Tube)
510	693699	Drive-Starter	616	692012	Crank-Governor	847	790442	Dipstick/Tube Assembly
513	692024	Clutch-Drive	617	★692138	Seal-O Ring (Intake Manifold)	850	100100	Sealant-Liquid (Rocker Cover Gasket and Breather Gasket) (Used After Code Date 07071800).
521	690581	Shield-Cable	634	●690801	Spring/Seal Assembly (697204)	851	692424	Terminal-Spark Plug
523	699908	Dipstick	634A	●690802	Spring/Seal Assembly (696181, 697203)	864	697346	Adapter-Muffler Used on Type No(s). 0005, 0026.
524	★691032	Seal-Dipstick Tube	634B	●698779	Spring/Seal Assembly	868	★Δ690968	Seal-Valve
525	697184	Tube-Dipstick	635	691909	Boot-Spark Plug	877	393456	Wire/Connector- Alternator (Dual Circuit)
526A	697088	Screw (Regulator)	643	698401	Retainer-Air Filter	877B	393537	Wire/Connector- Alternator (Tri Circuit) Used on Type No(s). 0431.
527	698467	Clamp-Tube	654	690958	Nut (Carburetor)	878	691237	Harness-Alternator (Alternator to Regulator)
544	692034	Armature-Starter	689	691855	Spring-Friction	878A	691955	Harness-Alternator (Tri Circuit) Used on Type No(s). 0431.
552	697144	Bushing-Governor Crank	691	★692407	Seal-Governor Shaft	883	★692236	Gasket-Exhaust
559	693675	Screw (Remote Choke Stop) Used on Type No(s). 0240, 0431, 0571.	692	690572	Spring-Detent	914	691108	Screw (Rocker Cover)
			697	690372	Screw (Drive Cap)	943	★690589	Seal-O Ring (Oil Pump Cover)
			718	690959	Pin-Locating			
			729	691335	Clip-Wire (Wire Saddle)			
			741	697128	Gear-Timing			
			750	790832	Screw (Oil Pump Cover)			

★ Included in Engine Gasket Set-Ref. No. 358.

● Included in Carburetor Overhaul Kit-Ref. No. 121 or 121A.

◆ Included in Carburetor Gasket Set-Ref. No. 977.

Δ Included in Valve Gasket Set-Ref. No. 1095.

Illustrations cover a range of engines. Parts shown without corresponding text may not be used on your specific engine.

31C700

REF. NO.	PART NO.	DESCRIPTION	REF. NO.	PART NO.	DESCRIPTION	REF. NO.	PART NO.	DESCRIPTION
947	694393	Solenoid-Fuel	1024A	794644	Pump-Oil (Used After Code Date 07051600).	1059	698516	Kit-Screw/Washer
947A	699915	Solenoid-Fuel				1070	690372	Screw (Flywheel Fan)
950	691657	Screw-Float Bowl						(Used Before Code Date 07040900).
965	499613	Cover-Oil Pump Used on Type No(s). 0155, 0156, 0173, 0226.	1026	692003	Rod-Push (Intake) --- Note ----- 692011 Rod-Push (Exhaust)	1070A	690363	Screw (Flywheel Fan) (Used After Code Date 07040800).
967	697015	Filter-Pre Cleaner				1090	691293	Retainer-Brush
968	698403	Cover-Air Cleaner (Black)	1027	492932s	Filter-Oil Used on Type No(s). 0173, 0226.	1091	691333	Cap-Limiter
975	495933	Bowl-Float	1029	691751	Arm-Rocker	1095	690190	Gasket Set-Valve
975A	699502	Bowl-Float	1034	690822	Guide-Push Rod Label-Emissions (Available From A Briggs & Stratton Authorized Dealer)	1119	691183	Screw (Alternator)
977	690192	Gasket Set-Carburetor	1036			1127	695407	Screw (Float Bowl)
987	●691326	Seal-Throttle Shaft	1040	698368	Plate-Trim	1146	793380	Screw (Manual Choke)
987A	●698777	Seal-Throttle Shaft	1044	698139	Screw (Flywheel)	1263	697124	Reed-Breather (Breather Reed)
1005	794438	Fan-Flywheel (Used After Code Date 07040800).	1051	691265	Ring-Retaining	1264	697104	Screw
1005A	794436	Fan-Flywheel (Used Before Code Date 07040900).	1054	280275	Tie-Cable	1266	★●691917	Seal-O Ring (Intake Elbow)
1005B		Fan-Flywheel (No Longer Available) (See Reference 1005A For Service Flywheel Fan).	1058	276344	Operator's Manual --- Note ----- MS3788 Manual- Operator's Used on Type No(s). 0005, 0026, 0230B2, 0230E2, 0240E2, 0155, 0156. MS3789 Manual- Operator's Used on Type No(s). 0155.	1266A	●697123	Seal-O Ring (Intake Elbow)
1017	690770	Screen-Oil Pump (Push In)				1267	697575	Latch-Blower Housing
1022★△272475S		Gasket-Rocker Cover (Used Before Code Date 07091000). (After Date Code Use liquid Sealant Reference 850)				1270	697156	Plug-AVS Counterweight
1023	791079	Cover-Rocker				1319	794467	Label-Warning
1024	499054	Pump-Oil (Used Before Code Date 07051700).						

★ Included in Engine Gasket Set-Ref. No. 358.

● Included in Carburetor Overhaul Kit-Ref. No. 121 or 121A.

◆ Included in Carburetor Gasket Set-Ref. No. 977.

△ Included in Valve Gasket Set-Ref. No. 1095.

Illustrations cover a range of engines. Parts shown without corresponding text may not be used on your specific engine.

5535-11

Assemblies include all parts shown in frames.

11/13/2007